


MARINE EXPLOSION-PROOF LIGHTS SERIES

Explosion-proof Switch

Main Specification: Type dCHH202-2 dCHH202-2A dCHH202-3 dCHH202-4 Voltage ...

- ISO9001 Supplier
- Class Certificate
- Export Supply



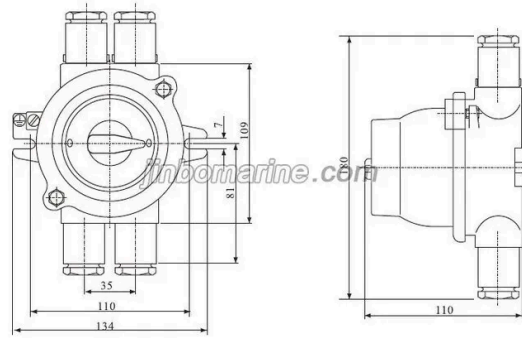
Key Highlights	
Category	Marine Explosion-proof Lights Series
Material	Brass
Weight / Size	Type dCHH202-2 dCHH202-2A dCHH202-3 dCHH202-4 Voltage 380V/16A Explision...
Certificate	ABS, LR, BV, DNVGL, NK, KR, IRS, RMRS, CCS

We can supply according to your requirement, drawings, class certificate needs, and delivery schedule.

Technical Specifications			
Category	Marine Explosion-proof Lights Series	Model / SKU	Explosion-proof-Switch
Material	Brass	Weight / Size	Type dCHH202-2 dCHH202-2A dCHH202-3 dCHH202-4 Voltage 380V/16A Explision-Proof Mark Exde II C T6 Protection Class IP56 Material Brass Cable Diameter Dia10-12.5 Weight 2.25KGS 2.25KGS 2.27KGS 2.35KGS
Certificate	ABS, LR, BV, DNVGL, NK, KR, IRS, RMRS, CCS	Warranty	12 Months unless specified otherwise
Origin	China		

Main Specification:





Type	dCHH202-2	dCHH202-2A	dCHH202-3	dCHH202-4
Voltage	380V/16A			
Explosion-Proof Mark	Exde II C T6			
Protection Class	IP56			
Material	Brass			
Cable Diameter	Dia10-12.5			
Weight	2.25KGS	2.25KGS	2.27KGS	2.35KGS