

# Jinbo Marine

Marine & Offshore Equipment Datasheet

PRODUCT DATASHEET

HOOK

## Eye Hooks with Latch S320

Similar Name Latch hook Safety hook Lifting hook Eye hook Main Specification Compromise of Hook and Latch Forging Technology 45# Steel Galvanized, H.D.G, Paint...

ISO9001 Supplier

Class Certificate

Export Supply



### Key Highlights

|               |   |
|---------------|---|
| Category      | Hook  |
| Standard      | EN  |
| Material      | 45# Steel   |
| Weight / Size | Similar Name Latch hook<br>Safety hook Lifting hook Eye<br>hook Main Specifica... |
| Certificate   | ABS, LR, BV, DNVGL, NK, KR,<br>IRS, RMRS, CCS                                     |

We can supply according to your requirement, drawings, class certificate needs, and delivery schedule.



| Technical Specifications |   |             |                                      |
|--------------------------|---|-------------|--------------------------------------|
| Category                 | Hook  | Model / SKU | Eye-Hooks-with-Latch-S320            |
| Standard                 | EN  | Material    | 45# Steel                            |
| Weight / Size            | Similar Name Latch hook Safety hook Lifting hook Eye hook Main Specification Compromise of Hook and Latch Forging Technology 45# Steel Galvanized, H.D.G, Paintng Size Table WLL(metric) DIMENSIONS(in) Weight (lbs) 320C 320A A B D E G H K L R T O 3/4 1 1.47 0.75 2.88 0.94 0.75 0.81 0.56 4.34 3.22 0.81 0.88 0.55 1 1 1/2 1.75 0.91 3.19 1.03 0.84 0.94 0.62 4.94 3.66 0.81 0.97 0.75 1 1/2 2 2.03 1.12 3.62 1.06 1 1.16 0.75 5.56 4.09 0.84 1 1.25 2 3 2.41 1.25 4.09 1.22 1.12 1.31 0.84 6.4 4.69 1.19 1.12 1.7 3 4 1/2 2.94 1.56 4.94 1.5 1.44 1.62 1.12 7.91 5.75 1.38 1.34 3.6 5 7 3.81 2 6.5 1.88 1.81 2.06 1.38 10.09 7.38 1.78 1.69 7.08 7 1/2 11 4.69 2.44 7.56 2.25 2.25 2.62 1.62 12.44 9.06 2.12 2.06 13 | Surface     | Galvanized                           |
| Certificate              | ABS, LR, BV, DNVGL, NK, KR, IRS, RMRS, CCS  | Warranty    | 12 Months unless specified otherwise |
| Origin                   | China   |             |                                      |

|                 |                |                      |
|-----------------|----------------|----------------------|
| <b>CONTENTS</b> | ■ Similar Name | ■ Main Specification |
|                 | ■ Size Table   |                      |

## Similar Name

- Latch hook
- Safety hook
- Lifting hook
- Eye hook

## Main Specification

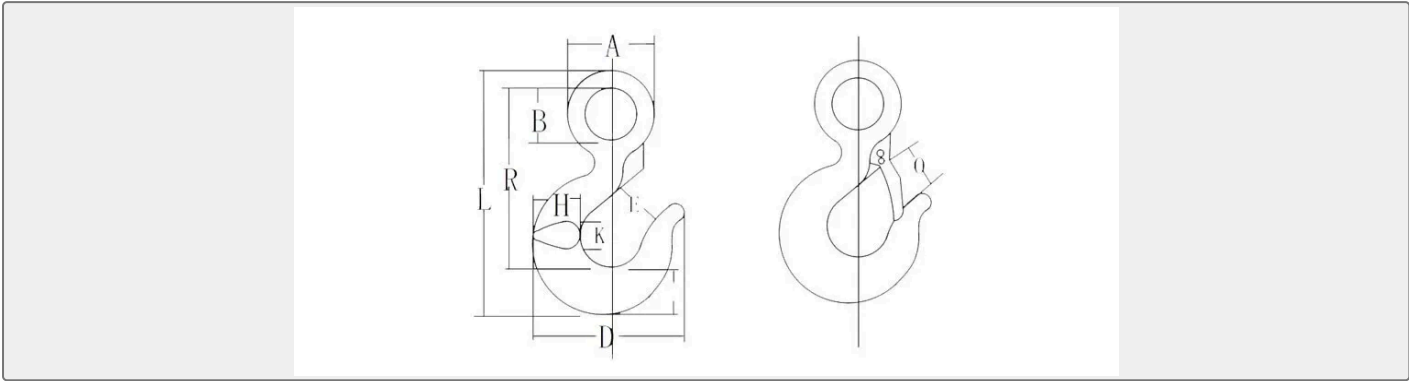
- Compromise of Hook and Latch
- Forging Technology



45# Steel

Galvanized, H.D.G, Paintng

## Size Table



| WLL(metric) |       | DIMENSIONS(in) |      |      |      |      |      |      |       |      |      |      | Weight (lbs) |
|-------------|-------|----------------|------|------|------|------|------|------|-------|------|------|------|--------------|
| 320C        | 320A  | A              | B    | D    | E    | G    | H    | K    | L     | R    | T    | O    |              |
| 3/4         | 1     | 1.47           | 0.75 | 2.88 | 0.94 | 0.75 | 0.81 | 0.56 | 4.34  | 3.22 | 0.81 | 0.88 | 0.55         |
| 1           | 1 1/2 | 1.75           | 0.91 | 3.19 | 1.03 | 0.84 | 0.94 | 0.62 | 4.94  | 3.66 | 0.81 | 0.97 | 0.75         |
| 1 1/2       | 2     | 2.03           | 1.12 | 3.62 | 1.06 | 1    | 1.16 | 0.75 | 5.56  | 4.09 | 0.84 | 1    | 1.25         |
| 2           | 3     | 2.41           | 1.25 | 4.09 | 1.22 | 1.12 | 1.31 | 0.84 | 6.4   | 4.69 | 1.19 | 1.12 | 1.7          |
| 3           | 4 1/2 | 2.94           | 1.56 | 4.94 | 1.5  | 1.44 | 1.62 | 1.12 | 7.91  | 5.75 | 1.38 | 1.34 | 3.6          |
| 5           | 7     | 3.81           | 2    | 6.5  | 1.88 | 1.81 | 2.06 | 1.38 | 10.09 | 7.38 | 1.78 | 1.69 | 7.08         |
| 7 1/2       | 11    | 4.69           | 2.44 | 7.56 | 2.25 | 2.25 | 2.62 | 1.62 | 12.44 | 9.06 | 2.12 | 2.06 | 13           |

