

Jinbo Marine

Marine & Offshore Equipment Datasheet

PRODUCT DATASHEET

TWISTLOCK

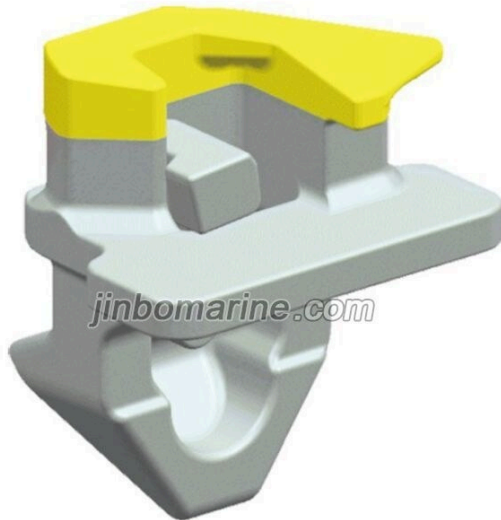
F8E Fully-Automatic Twistlock

F8E Fully-Automatic Twistlock Loose fitting on deck. Real realization of full automatic loading and unloading container Fully complies to OSHA regulations. Loading and unloading container don't ne...

ISO9001 Supplier

Class Certificate

Export Supply



jinbomarine.com

F8E

Key Highlights

Category	Twistlock
Standard	DIN
Material	Material:High tensile stee Dimensions accordingto requirement.
Weight / Size	Material:High tensile stee Dimensions accordingto requirement.
Certificate	ABS, LR, BV, DNVGL, NK, KR, IRS, RMRS, CCS

We can supply according to your requirement, drawings, class certificate needs, and delivery schedule.

Technical Specifications

Category	Twistlock	Model / SKU	F8E-Fully-Automatic-Twistlock
Standard	DIN	Material	Material:High tensile stee Dimensions accordingto requirement.
Weight / Size	Material:High tensile stee Dimensions accordingto requirement.	Surface	Hot dip galvanized
Certificate	ABS, LR, BV, DNVGL, NK, KR, IRS, RMRS, CCS	Warranty	12 Months unless specified otherwise
Origin	China		

CONTENTS

- China F8E Fully-Automatic Twistlock:
- Specification:



China F8E Fully-Automatic Twistlock:

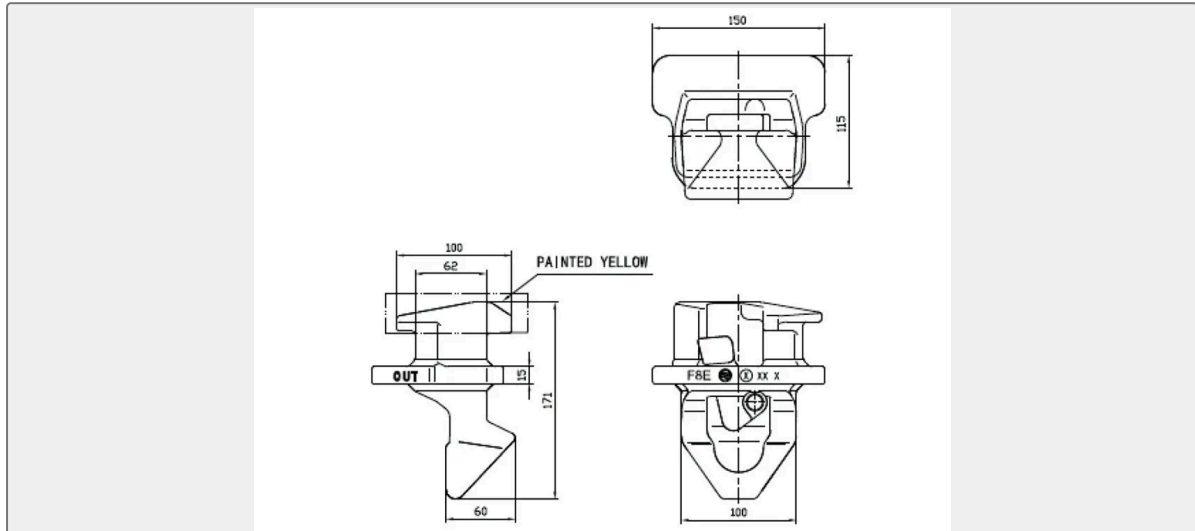
F8E Fully-Automatic Twistlock

Loose fitting on deck.

Real realization of full automatic loading and unloading container

Fully complies to OSHA regulations.

Loading and unloading container don't need to use operation rods for unlocking.



Specification:

Min.B.L.Tension:500KN

Min.B.L.Shear:420kN

Finish:Hot dip galvanized.

Material:High tensile steel

Dimensions according to requirement.