

MARINE FAIRLEAD

FA 4 Series Fairlead With Universal Roller

- ISO9001 Supplier
- Class Certificate
- Export Supply

Fairlead is a device to change the rope or cable direction used for guiding ropes in ship or vessel mooring. Smooth surface, effective structure. Durable and long service life.
 Material: steel plate, steel pipe...



Key Highlights

Category	Marine Fairlead
Standard	DIN
Material	steel plate, steel pipe. Also can be customized.
Weight / Size	Size chart:
Certificate	BV, CCS, ABS, mill certificate etc.

We can supply according to your requirement, drawings, class certificate needs, and delivery schedule.

Technical Specifications

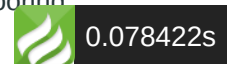
Category	Marine Fairlead	Model / SKU	FA-4-Series-Fairlead-With-Universal-Roller
Standard	DIN	Material	steel plate, steel pipe. Also can be customized.
Weight / Size	Size chart:	Surface	Smooth surface, effective structure.
Certificate	BV, CCS, ABS, mill certificate etc.	Warranty	12 Months unless specified otherwise
Origin	China		

CONTENTS

- China FA 4 Series Fairlead With Universal Roller:
- Size chart:

China FA 4 Series Fairlead With Universal Roller:

Fairlead is a device to change the rope or cable direction used for guiding ropes in ship or vessel mooring

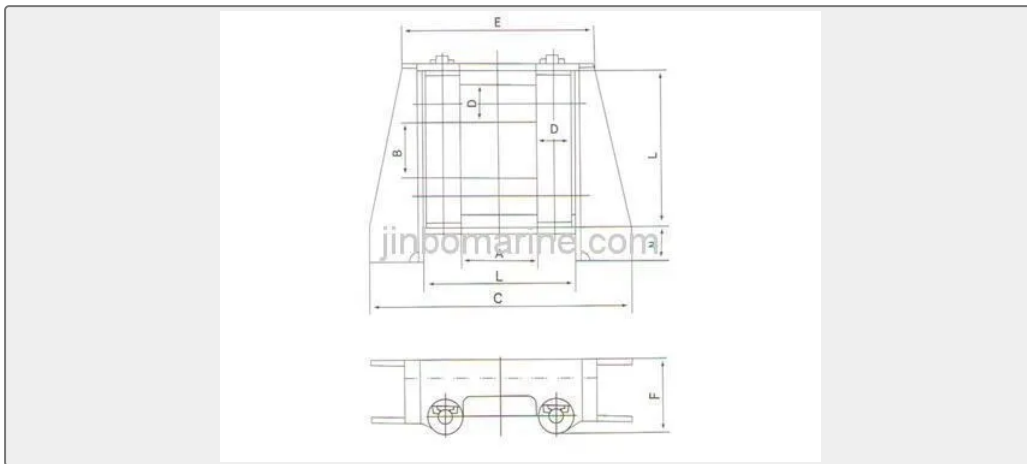


Smooth surface, effective structure.

Durable and long service life.

Material: steel plate, steel pipe.

Certificate: BV, CCS, ABS, DNV, GL, LR, RINA, mill certificate etc.



Size chart:

Type	rope dia(mm)	Dimension(mm)								Mass(kg)
		A	B	C	D	E	F	K	L	
FA4-12	12	180	100	650	80	446	170	80	356	76
FA4-16	16	230	130	800	100	546	210	100	446	130
FA4-20	20	250	130	900	120	626	250	120	506	220
FA4-24	24	280	160	1000	140	716	288	120	576	330
FA4-32	32	300	160	1200	180	836	366	140	676	580
FA4-40	40	320	180	1360	245	1030	500	150	830	1100
FA4-48	48	400	250	1700	300	1236	608	200	1016	2210