

# Jinbo Marine

Marine & Offshore Equipment Datasheet

PRODUCT DATASHEET

## MARINE FAIRLEAD

# FA4 series Universal Roller Fairleads

Feature: 1.Excellent quality. 2.Competitive price . 3.Durable, long lifetime. Fairlead is a device to change the cable direction used for guiding ropes in ship mooring and will not breakdown.

Provid...

ISO9001 Supplier

Class Certificate

Export Supply



### Key Highlights

Category	Marine Fairlead
Standard	JIS
Material	ZG230-450,Q235
Weight / Size	Type rope dia(mm) Dimension(mm) Mass(kg) A B C D E F K L FA4-12 12 180 1...
Certificate	ABS , BV, CCS, mill certificate etc.

We can supply according to your requirement, drawings, class certificate needs, and delivery schedule.



Technical Specifications			
Category	Marine Fairlead	Model / SKU	FA4-series-Universal-Roller-Fairleads
Standard	JIS	Material	ZG230-450,Q235
Weight / Size	Type rope dia(mm) Dimension(mm) Mass(kg) A B C D E F K L FA4-12 12 180 100 650 80 446 170 80 356 76 FA4-16 16 230 130 800 100 546 210 100 446 130 FA4-20 20 250 130 900 120 626 250 120 506 220 FA4-24 24 280 160 1000 140 716 288 120 576 330 FA4-32 32 300 160 1200 180 836 366 140 676 580 FA4-40 40 320 180 1360 245 1030 500 150 830 1100 FA4-48 48 400 250 1700 300 1236 608 200 1016 2210	Surface	Provide CCS , BV , LR , BV etc Certificate Customized service is available, Advanced equipment ,Strong consciousness in controlling quality Material:ZG230- 450,Q235 Surface:
Certificate	ABS , BV, CCS, mill certificate etc.	Warranty	12 Months unless specified otherwise
Origin	China		

## Feature:

- 1.Excellent quality.
- 2.Competitive price .
- 3.Durable, long lifetime.

Fairlead is a device to change the cable direction used for guiding ropes in ship mooring and will not breakdown.

Provide CCS , BV , LR , BV etc Certificate

Customized service is available, Advanced equipment ,Strong consciousness in controlling quality

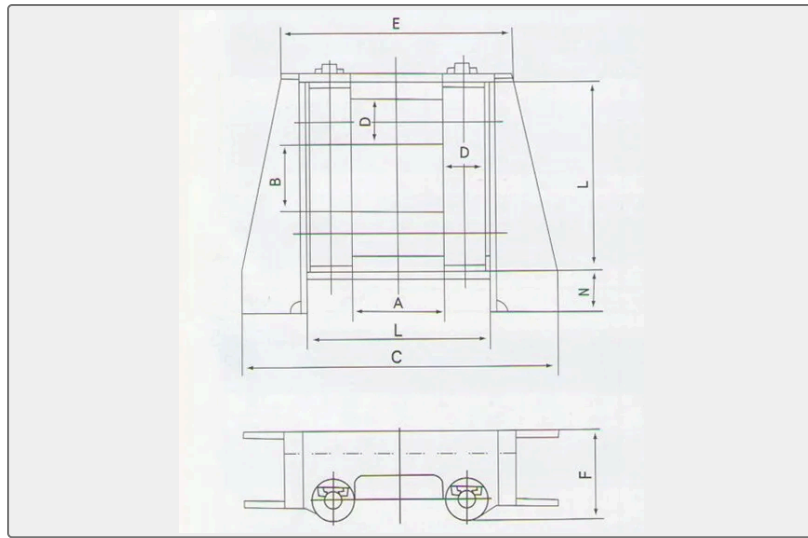
Material:ZG230-450,Q235

Surface: Blasting,Epoxy.

Machining facilities :CNC center, CNC lathes, ultrasonic wave cleaning,etc

Good wear and corrosion resistance

We can supply fairlead, roller according to JISF, DIN and GB standards. We can also make these products according to buyer's drawings.



Type	rope dia(mm)	Dimension(mm)								Mass(kg)
		A	B	C	D	E	F	K	L	
FA4-12	12	180	100	650	80	446	170	80	356	76
FA4-16	16	230	130	800	100	546	210	100	446	130
FA4-20	20	250	130	900	120	626	250	120	506	220
FA4-24	24	280	160	1000	140	716	288	120	576	330
FA4-32	32	300	160	1200	180	836	366	140	676	580
FA4-40	40	320	180	1360	245	1030	500	150	830	1100
FA4-48	48	400	250	1700	300	1236	608	200	1016	2210