

# Jinbo Marine

Marine &amp; Offshore Equipment Datasheet

PRODUCT DATASHEET

## HEAT EXCHANGER

## FC Series Water-cooled Heat Exchanger

Description: The FC(Y) series water-cooled heat exchanger adopts a finned heat exchanger with a traditional structure and a new foreign technology design. The small product is a fixed tube plate structure, model ...

ISO9001 Supplier

Class Certificate

Export Supply



### Key Highlights

Category	Heat Exchanger
Standard	DIN
Weight / Size	The heat transfer area is large, and the product is small in size and li...
Certificate	ABS, LR, BV, DNVGL, NK, KR, IRS, RMRS, CCS

We can supply according to your requirement, drawings, class certificate needs, and delivery schedule.

### Technical Specifications

Category	Heat Exchanger	Model / SKU	FC-Series-Water-cooled-Heat-Exchanger
Standard	DIN	Weight / Size	The heat transfer area is large, and the product is small in size and light in weight.
Certificate	ABS, LR, BV, DNVGL, NK, KR, IRS, RMRS, CCS	Warranty	12 Months unless specified otherwise
Origin	China		

#### CONTENTS

- Description:
- FCY Series Water-cooled Heat Exchanger of :
- Technical data:

## Description:

The FC(Y) series water-cooled heat exchanger adopts a finned heat exchanger with a traditional structure and a new foreign technology design. The small product is a fixed tube plate structure, model FC;

The large product is a mobile tube plate structure, model FCY.

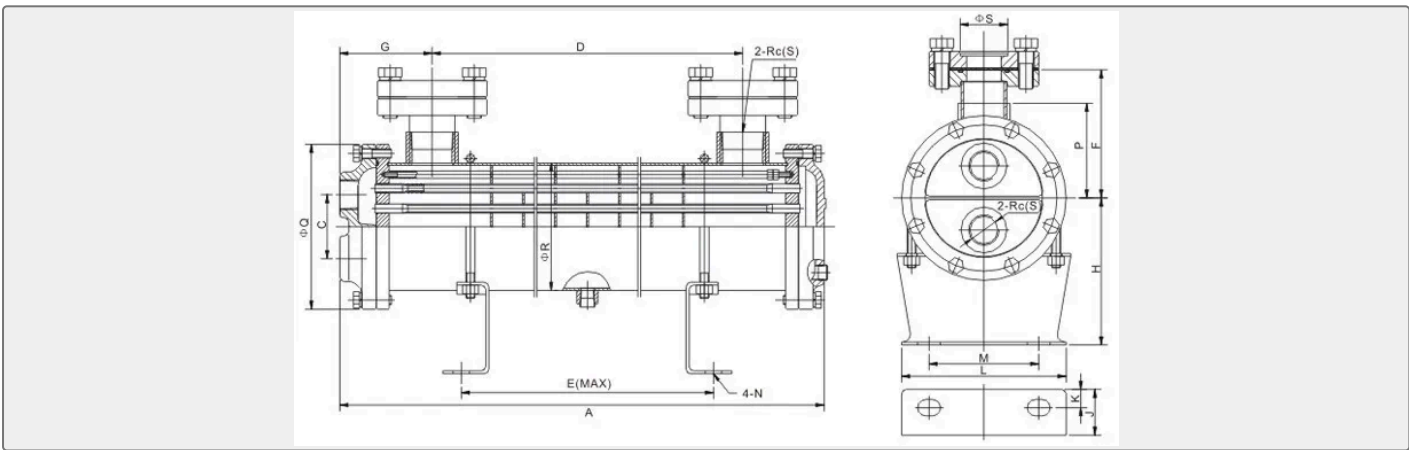
The heat transfer tube uses a copper tube to roll out the heat fins. The heat transfer area is large, and the product is small in size and light in weight. Suitable for cooling of low viscosity and relatively clean oil; can be applied to plastic machinery, hydraulic setting

Preparation, air compressor, oil slick system, fluid coupling, power equipment and other industries.

The series of medium and large products adopts a movable tube plate structure, which can be disassembled for cleaning and repair;

This series of products can be designed and manufactured according to customer requirements from small to medium to large scale, covering a wide range.

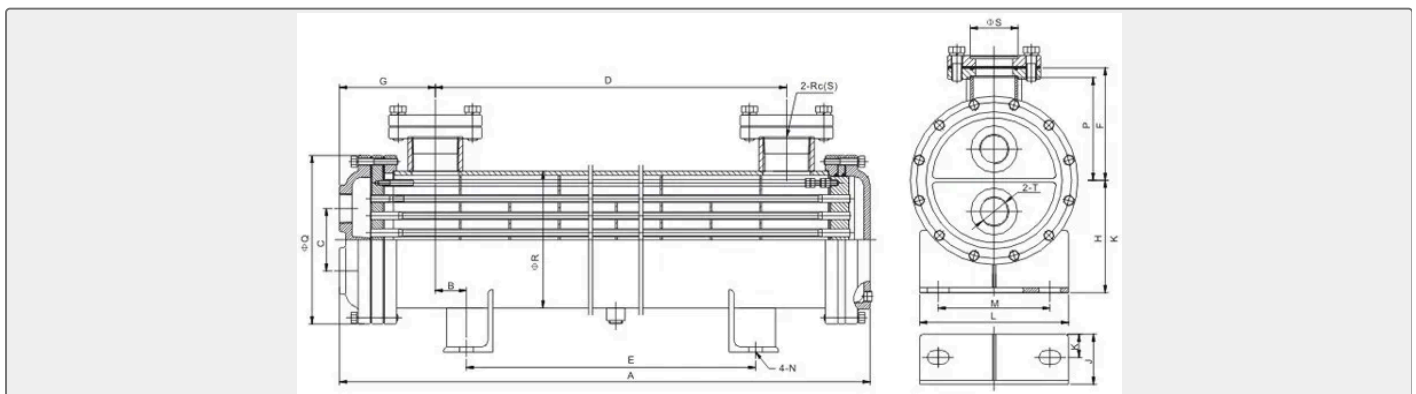
## Technical data:



Model	A	C	D	E	F	G	H	J	K	L	M	N	P	Q	R	S
FC-303	309	45	152	107	85	81	87	35	15	95	58	11x20	62	120	89	Rc3/4 Φ28.5 DN20
FC-304	381		224	179												
FC-306	453		296	251												
FC-307	531		374	329												
FC-308	597		400	395												
FC-310	741		584	539												
FC-311	813		656	611												
FC-312	885		728	683												

FC-410	469	60	284	240	110	95	125	50	20	160	110	18x22	87	150	114	Rc1 1/4 Φ43 DN32
FC-413	547		362	318												
FC-415	613		428	384												
FC-419	757		572	528												
FC-422	829		644	600												
FC-424	901		716	672												
FC-428	1045		860	816												
FC-519	530	70	340	276	140	101	160	50	20	180	120	18*25	105	180	139	Rc1 1/2 Φ52 DN40
FC-522	596		406	342												
FC-529	740		550	486												
FC-532	812		622	558												
FC-535	884		694	630												
FC-542	1028		838	774												
FC-549	1171		981	917												
FC-554	1281		1091	1027												
FC-635	820	70	574	500	160	127	180	67	30	220	140	18x30	122	210	165	Rc2 Φ65 DN50
FC-640	890		646	570												
FC-645	1035		790	715												
FC-650	1180		933	860												
FC-660	1290		1043	970												
FC-665	1380		1133	1060												
FC-670	1490		1243	1170												
FC-675	1600		1353	1280												
FC-680	1680		1433	1360												

**FCY Series Water-cooled Heat Exchanger of :**



Model	A	B	C	D	E	F	G	H	J	K	L	M	N	P	Q	R	S	T
FCY-519	527	32	70	317	253	14 0	12 1	16 0	5 0	2 0	18 0	12 0	18x2 5	10 5	18 0	13 8	Rc1 1/2 Φ52 DN40	Rc 1
FCY-522	593			383	319													
FCY-529	737			527	463													
FCY-532	809			599	535													
FCY-535	881			671	607													
FCY-542	102 5			815	751													
FCY-549	116 8			958	894													
FCY-554	127 8			106 8	100 4													
FCY-635	810	37. 5	37. 5	551	476	16 0	14 5	18 0	6 7	3 0	22 0	14 0	18x3 0	12 2	21 0	16 5	Rc2 Φ65 DN50	Rc 1
FCY-640	882			623	548													
FCY-645	102 6			767	692													
FCY-650	116 9			910	835													
FCY-660	127 9			102 0	945													
FCY-665	136 9			111 0	103 5													
FCY-670	147 9			122 0	114 5													
FCY-675	158 9			133 0	125 5													
FCY-680	166 9	141 0	133 5															

FCY-860	830	50	100	541	441	18 0	15 5	18 0	8 0	3 7	24 0	18 0	22x3 5	16 5	27 0	21 9	Rc2 1/2 Φ77 DN65	Rc 1
FCY-870	905			613	513													
FCY-885	105 0			757	657													
FCY-8100	119 0			900	800													
FCY-8110	130 0			101 0	910													
FCY-8120	139 0			110 0	100 0													
FCY-8130	150 0			121 0	111 0													
FCY-8145	161 0			132 0	122 0													
FCY-8160	178 0			149 0	139 0													
FCY-8170	190 0			161 0	151 0													