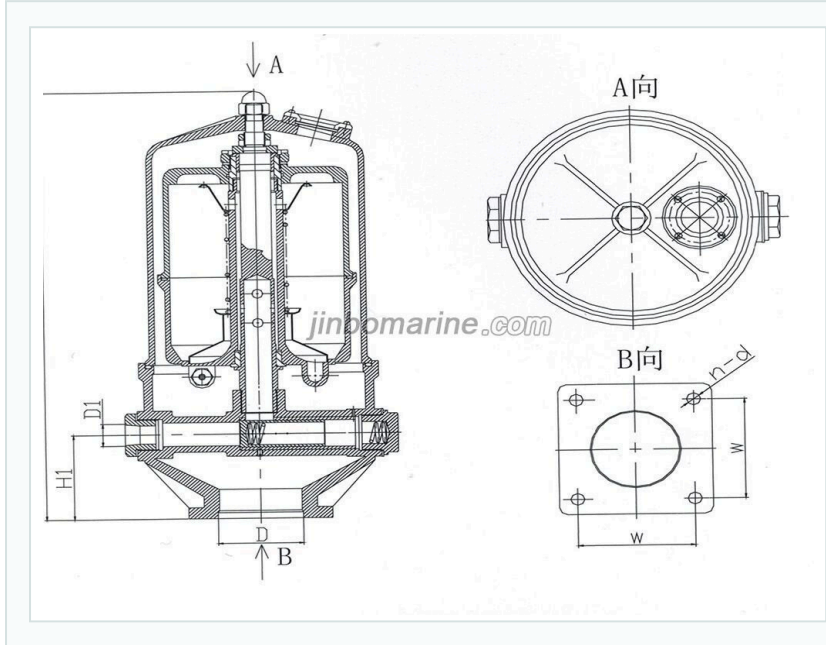


FILTER

FLL32AG Centrifugal Lubricant Filter

FLL32AG Centrifugal Lubricant Filter Characteristics: 1.the limited pressure value is installed to make the main machine rotate easily 2.the dynamic balance of the rotor is finished,the characteristics is reliabl...

- ISO9001 Supplier
- Class Certificate
- Export Supply



Key Highlights

Category	Filter
Standard	EN
Weight / Size	3.the weight is light and the volume is small,the disassembling is conven...
Certificate	ABS, LR, BV, DNVGL, NK, KR, IRS, RMRS, CCS

We can supply according to your requirement, drawings, class certificate needs, and delivery schedule.

Technical Specifications

Category	Filter	Model / SKU	FLL32AG-Centrifugal-Lubricant-Filter
Standard	EN	Weight / Size	3.the weight is light and the volume is small,the disassembling is convenient and simple.
Surface	1.the limited pressure value is installed to make the main machine rotate easily 2.the dynamic balance of the rotor is finished,the characteristics is reliable to reduce the moving fittings worn and extend the use-life of the moving fittings 2-3 times.	Certificate	ABS, LR, BV, DNVGL, NK, KR, IRS, RMRS, CCS
Warranty	12 Months unless specified otherwise	Origin	China



CONTENTS

- FLL32AG Centrifugal Lubricant Filter
- FLL32AG Centrifugal Lubricant Filter Drawing
- FLL32AG Centrifugal Lubricant Filter Technical Parameters

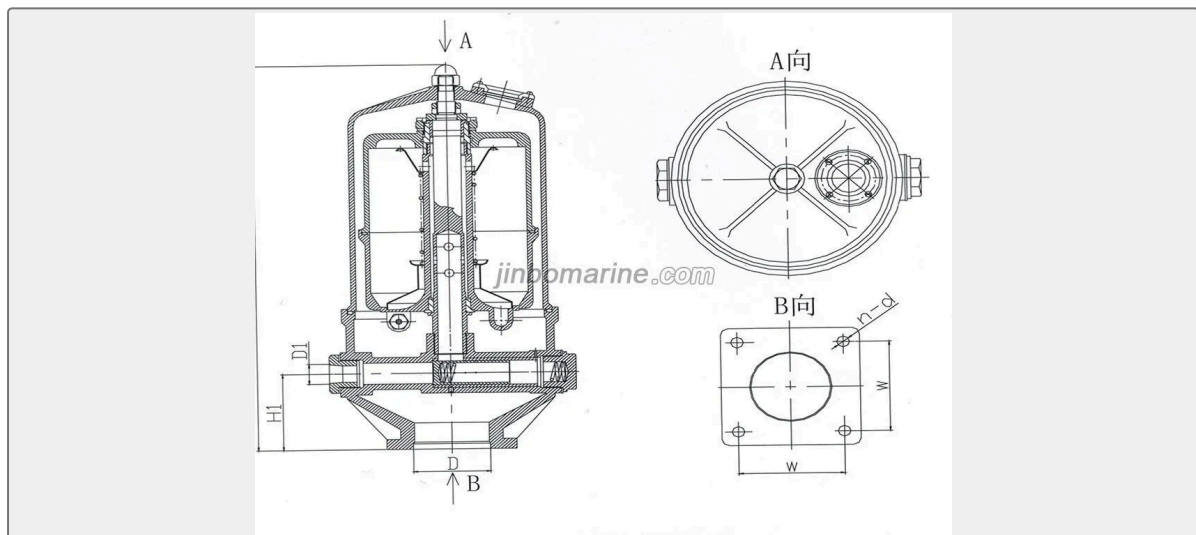
FLL32AG Centrifugal Lubricant Filter

Characteristics:

- 1.the limited pressure value is installed to make the main machine rotate easily
- 2.the dynamic balance of the rotor is finished,the characteristics is reliable to reduce the moving fittings worn and extend the use-life of the moving fittings 2-3 times.
- 3.the weight is light and the volume is small,the disassembling is convenient and simple.
- 4.the dirt chamber can separate 5um foreign grain, the washing period is long and the separating result is good.

Opening pressure of limited pressure value of the filter	Rotating test	Oil temperature	Rotational speed	Dynamic balance test
2.5±0.3kgf/cm ²	0.7Mpa	75°C	4250r/min	< 5g.cm

FLL32AG Centrifugal Lubricant Filter Drawing



FLL32AG Centrifugal Lubricant Filter Technical Parameters

Model	External dimensions(mm)					
	D	D1	H	H1	W*W	N-D
FLL32A	98	ZG3/4	580	115	126*126	4-15
FLL32AG	98	566	112			