

**FILTER**

# FM200-21 Centrifugal Lubricant Filter

FM200-21 Centrifugal Lubricant Filter Drawing FM200-21 Centrifugal Lubricant Filter  
 Technical Parameters Model External dimensions(mm) Installi...

- ISO9001 Supplier
- Class Certificate
- Export Supply



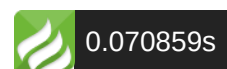
### Key Highlights

<b>Category</b>	Filter
<b>Standard</b>	EN
<b>Weight / Size</b>	FM200-21 Centrifugal Lubricant Filter Drawing FM200-21 Centrifugal Lubri...
<b>Certificate</b>	ABS, LR, BV, DNVGL, NK, KR, IRS, RMRS, CCS

We can supply according to your requirement, drawings, class certificate needs, and delivery schedule.

### Technical Specifications

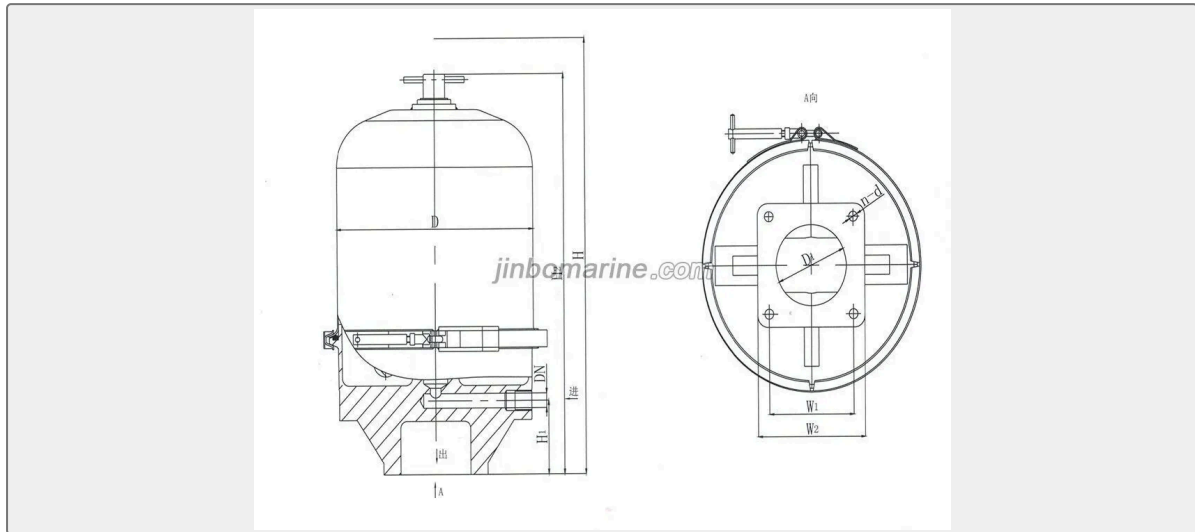
<b>Category</b>	Filter	<b>Model / SKU</b>	FM200-21-Centrifugal-Lubricant-Filter
<b>Standard</b>	EN	<b>Weight / Size</b>	FM200-21 Centrifugal Lubricant Filter Drawing FM200-21 Centrifugal Lubricant Filter Technical Parameters Model External dimensions(mm) Installing size(mm) D W2 H H2 H1 W1 D1 N-D FM200 203 124 550 370 73 90 65 4-Φ13 FM200-21 203 500 344 40 90 4-M12 FM400 250 160 600 450 75 123 105 4-Φ13 FM600 294 650 520 96
<b>Certificate</b>	ABS, LR, BV, DNVGL, NK, KR, IRS, RMRS, CCS	<b>Warranty</b>	12 Months unless specified otherwise
<b>Origin</b>	China		



**CONTENTS**

■ FM200-21 Centrifugal Lubricant Filter Drawing

■ FM200-21 Centrifugal Lubricant Filter Technical Parameters

**FM200-21 Centrifugal Lubricant Filter Drawing****FM200-21 Centrifugal Lubricant Filter Technical Parameters**

Model	External dimensions(mm)				Installing size(mm)			
	D	W2	H	H2	H1	W1	D1	N-D
FM200	203	124	550	370	73	90	65	4-Φ13
FM200-21	203	500	344	40	90	4-M12		
FM400	250	160	600	450	75	123	105	4-Φ13
FM600	294	650	520	96				