

FILTER

FM200 Centrifugal Lubricant Filter

FM200 Centrifugal Lubricant Filter Diagram FM200 Centrifugal Lubricant Filter Technical Parameters Model External dimensions(mm) Inst...

- ISO9001 Supplier
- Class Certificate
- Export Supply



Key Highlights

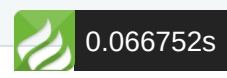
Category	Filter
Standard	EN
Weight / Size	FM200 Centrifugal Lubricant Filter Diagram FM200 Centrifugal Lubricant F...
Certificate	ABS, LR, BV, DNVGL, NK, KR, IRS, RMRS, CCS

We can supply according to your requirement, drawings, class certificate needs, and delivery schedule.

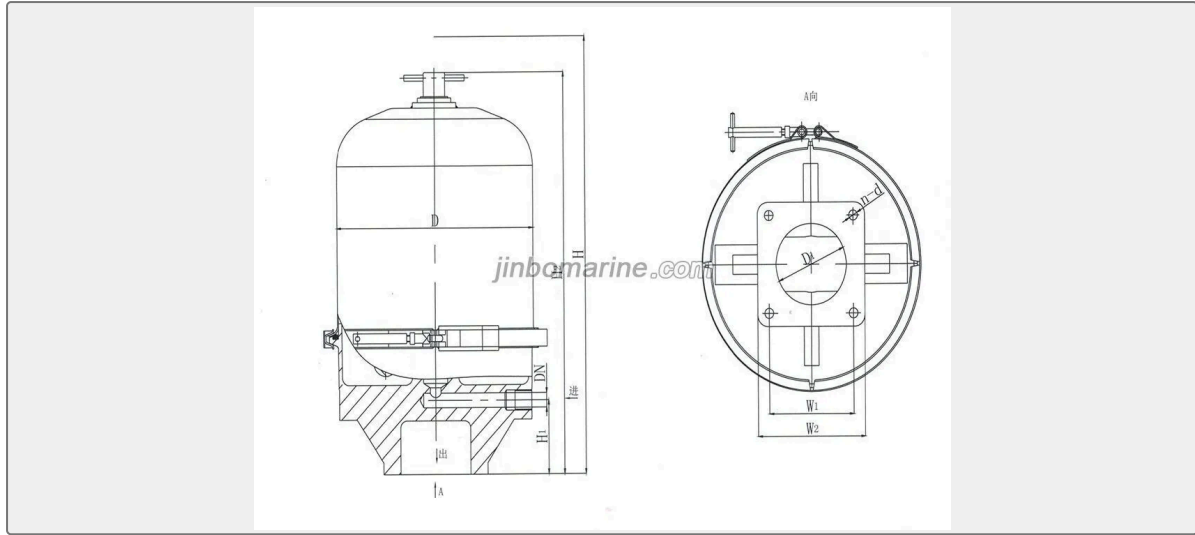
Technical Specifications

Category	Filter	Model / SKU	FM200-Centrifugal-Lubricant-Filter
Standard	EN	Weight / Size	FM200 Centrifugal Lubricant Filter Diagram FM200 Centrifugal Lubricant Filter Technical Parameters Model External dimensions(mm) Installing size(mm) D W2 H H2 H1 W1 D1 N-D FM200 203 124 550 370 73 90 65 4-Φ13 FM200-21 203 500 344 40 90 4-M12 FM400 250 160 600 450 75 123 105 4-Φ13 FM600 294 650 520 96
Certificate	ABS, LR, BV, DNVGL, NK, KR, IRS, RMRS, CCS	Warranty	12 Months unless specified otherwise
Origin	China		

CONTENTS	■ FM200 Centrifugal Lubricant Filter Diagram	■ FM200 Centrifugal Lubricant Filter Technical Parameters
-----------------	--	---



FM200 Centrifugal Lubricant Filter Diagram



FM200 Centrifugal Lubricant Filter Technical Parameters

Model	External dimensions(mm)				Installing size(mm)			
	D	W2	H	H2	H1	W1	D1	N-D
FM200	203	124	550	370	73	90	65	4-Φ13
FM200-21	203	500	344	40	90	4-M12		
FM400	250	160	600	450	75	123	105	4-Φ13
FM600	294	650	520	96				