

# Jinbo Marine

Marine &amp; Offshore Equipment Datasheet

PRODUCT DATASHEET

## FILTER

## FM400 Centrifugal Lubricant Filter

FM400 Centrifugal Lubricant Filter Drawing FM400 Centrifugal Lubricant Filter Technical Parameters: Model External dimensions(mm) Installing si...

ISO9001 Supplier

Class Certificate

Export Supply



### Key Highlights

Category	Filter
Standard	EN
Weight / Size	Model External dimensions(mm) Installing size(mm) D W2 H H2 H1 W1 D1 N-D...
Certificate	ABS, LR, BV, DNVGL, NK, KR, IRS, RMRS, CCS

We can supply according to your requirement, drawings, class certificate needs, and delivery schedule.

### Technical Specifications

Category	Filter	Model / SKU	FM400-Centrifugal-Lubricant-Filter
Standard	EN	Weight / Size	Model External dimensions(mm) Installing size(mm) D W2 H H2 H1 W1 D1 N-D FM200 203 124 550 370 73 90 65 4-Φ13 FM200-21 203 500 344 40 90 4-M12 FM400 250 160 600 450 75 123 105 4-Φ13 FM600 294 650 520 96
Certificate	ABS, LR, BV, DNVGL, NK, KR, IRS, RMRS, CCS	Warranty	12 Months unless specified otherwise
Origin	China		

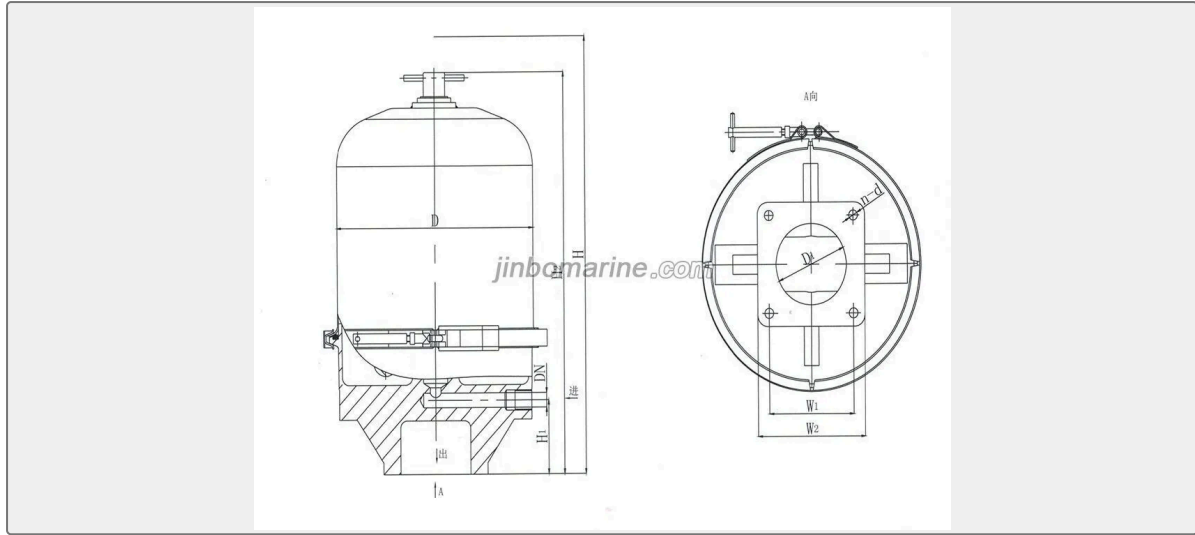
#### CONTENTS

- FM400 Centrifugal Lubricant Filter Drawing

- FM400 Centrifugal Lubricant Filter Technical Parameters:



## FM400 Centrifugal Lubricant Filter Drawing



## FM400 Centrifugal Lubricant Filter Technical Parameters:

Model	External dimensions(mm)				Installing size(mm)			
	D	W2	H	H2	H1	W1	D1	N-D
FM200	203	124	550	370	73	90	65	4-Φ13
FM200-21	203	500	344	40	90	4-M12		
FM400	250	160	600	450	75	123	105	4-Φ13
FM600	294	650	520	96				