

Jinbo Marine

Marine & Offshore Equipment Datasheet


PRODUCT DATASHEET

EYE BOLTS & NUTS

Forged Machinery Eye Bolt S-279 UNC

- ISO9001 Supplier
- Class Certificate
- Export Supply

SIZE WORKING LOADLIMIT (lbs.) WEIGHT PRR 100(lbs.) DIMENSIONS (in.) A THREAD B C D E ...



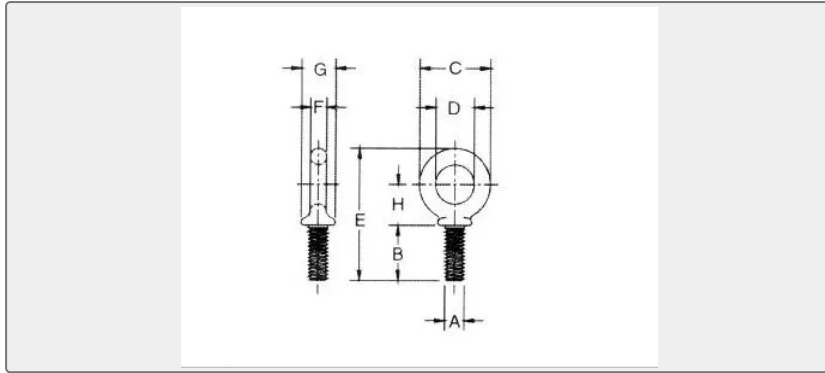
Key Highlights

Category	Eye Bolts & Nuts
Standard	EN
Material	Stainless steel
Weight / Size	SIZE WORKING LOADLIMIT (lbs.) WEIGHT PRR 100(lbs.) DIMENSIONS (in.) A TH...
Certificate	ABS, LR, BV, DNVGL, NK, KR, IRS, RMRS, CCS

We can supply according to your requirement, drawings, class certificate needs, and delivery schedule.

Technical Specifications			
Category	Eye Bolts & Nuts	Model / SKU	FORGED-MACHIENERY-EYE-BOLT-S-279-UNC
Standard	EN	Material	Stainless steel
Weight / Size	SIZE WORKING LOADLIMIT (lbs.) WEIGHT PRR 100(lbs.) DIMENSIONS (in.) A THREAD B C D E F G H 1/4 x 1 650 5.00 1/4-20 1.02 1.13 0.75 2.29 0.19 0.53 0.77 5/16 x 1-1/8 1200 9.00 5/16-18 1.15 1.38 0.88 2.74 0.25 0.59 0.95 3/8 x 1-1/4 1550 15.00 3/8-16 1.27 1.62 1.00 3.07 0.31 0.69 1.05 1/2 x 1-1/2 2600 28.00 1/2-13 1.53 1.95 1.19 3.70 0.38 0.91 1.27 5/8 x 1 -3/4 5200 55.00 5/8-11 1.79 2.38 1.38 4.45 0.50 1.13 1.53 3/4 x 2 7200 96.00 3/4-10 2.05 2.76 1.50 5.07 0.63 1.38 1.71 7/8 x 2- 1/4 10600 154.00 7/8-9 2.31 3.25 1.75 5.87 0.75 1.56 2.00 1 x 2-1/2 13300 238.00 1-8 2.57 3.76 2.00 6.66 0.88 1.81 2.30 1-1/8 x 2-3/4 15000 320.00 1-1/8-7 2.75 4.19 2.25 7.20 0.97 2.06 2.35 1-1/4 x 3 21000 399.00 1-1/4-7 3.09 4.50 2.50 7.95 1.00 2.28 2.73 1-1/2 x 3- 1/2 24000 720.00 1-1/2-6 3.60 5.50 3.00 9.49 1.25 2.75 3.28 1 -3/4 x 3-3/4 34000 1040.00 1-3/4-5 3.75 6.26 3.50 10.48 1.38 3.00 3.60 2 x 4 42000 1880.00 2-4-1/2 4.00 7.62 4.00 12.31 1.81 3.38 4.50 2-1/2 x 5 65000 3250.00 2 -1/2-4 5.00 8.76 4.50 14.88 2.12 4.25 5.50	Certificate	ABS, LR, BV, DNVGL, NK, KR, IRS, RMRS, CCS
Warranty	12 Months unless specified otherwise	Origin	China

China Forged Machinery Eye Bolt S-279 UNC:



SIZE	WORKING LOADLIMIT (lbs.)	WEIGHT PRR 100(lbs.)	DIMENSIONS (in.)							
			A THREAD	B	C	D	E	F	G	H
1/4 x 1	650	5.00	1/4-20	1.02	1.13	0.75	2.29	0.19	0.53	0.77
5/16 x 1-1/8	1200	9.00	5/16-18	1.15	1.38	0.88	2.74	0.25	0.59	0.95
3/8 x 1-1/4	1550	15.00	3/8-16	1.27	1.62	1.00	3.07	0.31	0.69	1.05
1/2 x 1-1/2	2600	28.00	1/2-13	1.53	1.95	1.19	3.70	0.38	0.91	1.27
5/8 x 1 -3/4	5200	55.00	5/8-11	1.79	2.38	1.38	4.45	0.50	1.13	1.53
3/4 x 2	7200	96.00	3/4-10	2.05	2.76	1.50	5.07	0.63	1.38	1.71
7/8 x 2-1/4	10600	154.00	7/8-9	2.31	3.25	1.75	5.87	0.75	1.56	2.00
1 x 2-1/2	13300	238.00	1-8	2.57	3.76	2.00	6.66	0.88	1.81	2.30
1-1/8 x 2-3/4	15000	320.00	1-1/8-7	2.75	4.19	2.25	7.20	0.97	2.06	2.35
1-1/4 x 3	21000	399.00	1-1/4-7	3.09	4.50	2.50	7.95	1.00	2.28	2.73
1-1/2 x 3-1/2	24000	720.00	1-1/2-6	3.60	5.50	3.00	9.49	1.25	2.75	3.28
1 -3/4 x 3-3/4	34000	1040.00	1-3/4-5	3.75	6.26	3.50	10.48	1.38	3.00	3.60
2 x 4	42000	1880.00	2-4-1/2	4.00	7.62	4.00	12.31	1.81	3.38	4.50
2-1/2 x 5	65000	3250.00	2 -1/2-4	5.00	8.76	4.50	14.88	2.12	4.25	5.50