

# Jinbo Marine

Marine & Offshore Equipment Datasheet

**PRODUCT DATASHEET**

TURNBUCKLE

## Fork Terminal Cast, SS304 OR SS

SIZE A mm B mm C mm D mm E mm 3.3 16.5 3.3 38 72 ...

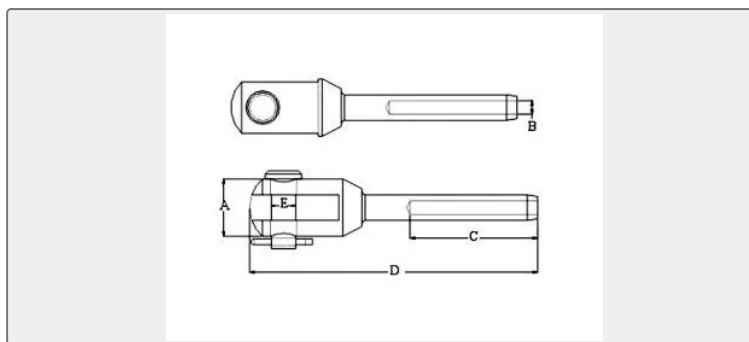
- ISO9001 Supplier
- Class Certificate
- Export Supply



Key Highlights	
<b>Category</b>	Turnbuckle
<b>Material</b>	Stainless steel
<b>Weight / Size</b>	SIZE A mm B mm C mm D mm E mm 3.3 16.5 3.3 38 72 5.8 4.4 21 4.4 44 91 7....
<b>Certificate</b>	ABS, LR, BV, DNVGL, NK, KR, IRS, RMRS, CCS
We can supply according to your requirement, drawings, class certificate needs, and delivery schedule.	

Technical Specifications			
<b>Category</b>	Turnbuckle	<b>Model / SKU</b>	FORK-TERMINAL-CAST-SS304-OR-SS
<b>Material</b>	Stainless steel	<b>Weight / Size</b>	SIZE A mm B mm C mm D mm E mm 3.3 16.5 3.3 38 72 5.8 4.4 21 4.4 44 91 7.8 5.3 25 5.3 52 104 8.9 6.4 28 6.4 62 130 11.9 7.4 30 7.4 70 140 11.9 8.4 36 8.4 80 150 15.9 12.5 45 12.5 105 220 18.9
<b>Certificate</b>	ABS, LR, BV, DNVGL, NK, KR, IRS, RMRS, CCS	<b>Warranty</b>	12 Months unless specified otherwise
<b>Origin</b>	China		

## China Fork Terminal Cast, SS304 OR SS:



SIZE	A mm	B mm	C mm	D mm	E mm
3.3	16.5	3.3	38	72	5.8
4.4	21	4.4	44	91	7.8
5.3	25	5.3	52	104	8.9
6.4	28	6.4	62	130	11.9
7.4	30	7.4	70	140	11.9
8.4	36	8.4	80	150	15.9
12.5	45	12.5	105	220	18.9