

Jinbo Marine

Marine & Offshore Equipment Datasheet

PRODUCT DATASHEET

TURNBUCKLE

Fork Terminal - External Thread Stainless Steel

SIZE D1 mm WIRE mm L1 mm A mm D mm H mm LG mm 6M M6 3 ...

ISO9001 Supplier

Class Certificate

Export Supply



Key Highlights

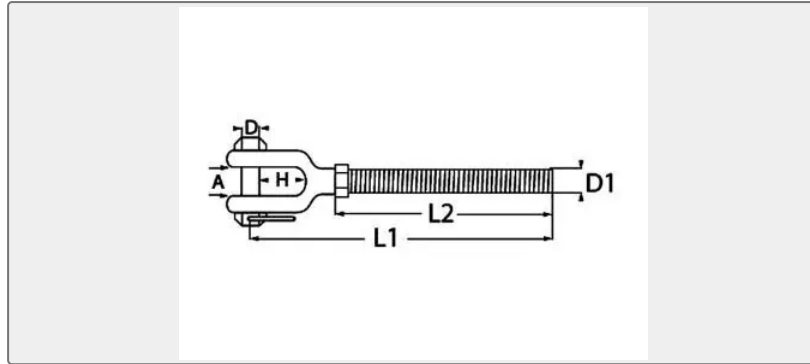
Category	Turnbuckle
Material	Stainless steel
Weight / Size	SIZE D1 mm WIRE mm L1 mm A mm D mm H mm LG mm 6M M6 3 180 7.5 6 10 250 8... 8...
Certificate	ABS, LR, BV, DNVGL, NK, KR, IRS, RMRS, CCS

We can supply according to your requirement, drawings, class certificate needs, and delivery schedule.

Technical Specifications

Category	Turnbuckle	Model / SKU	FORK-TERMINAL-EXTERNAL-THREAD-STAONLESS-STEEL
Material	Stainless steel	Weight / Size	SIZE D1 mm WIRE mm L1 mm A mm D mm H mm LG mm 6M M6 3 180 7.5 6 10 250 8M M8 4 210 11 8 11 285 10M M10 5 240 12 9 14 330 12M M12 6 300 14 12 20 410 14M M14 7 330 15 12 22 450 16M M16 8 370 17 16 26 510
Certificate	ABS, LR, BV, DNVGL, NK, KR, IRS, RMRS, CCS	Warranty	12 Months unless specified otherwise
Origin	China		

China Fork Terminal - External Thread Stainless Steel:



SIZE	D1 mm	WIRE mm	L1 mm	A mm	D mm	H mm	LG mm
6M	M6	3	180	7.5	6	10	250
8M	M8	4	210	11	8	11	285
10M	M10	5	240	12	9	14	330
12M	M12	6	300	14	12	20	410
14M	M14	7	330	15	12	22	450
16M	M16	8	370	17	16	26	510