

Jinbo Marine

Marine & Offshore Equipment Datasheet

PRODUCT DATASHEET

TURNBUCKLE

Fork Terminal Forged, SS304 OR SS316

ISO9001 Supplier

Class Certificate

Export Supply

SIZE mm Φ mm Φ mm A mm B mm C mm SWL kgs BL kgs 2.7 2.7 ...

Key Highlights

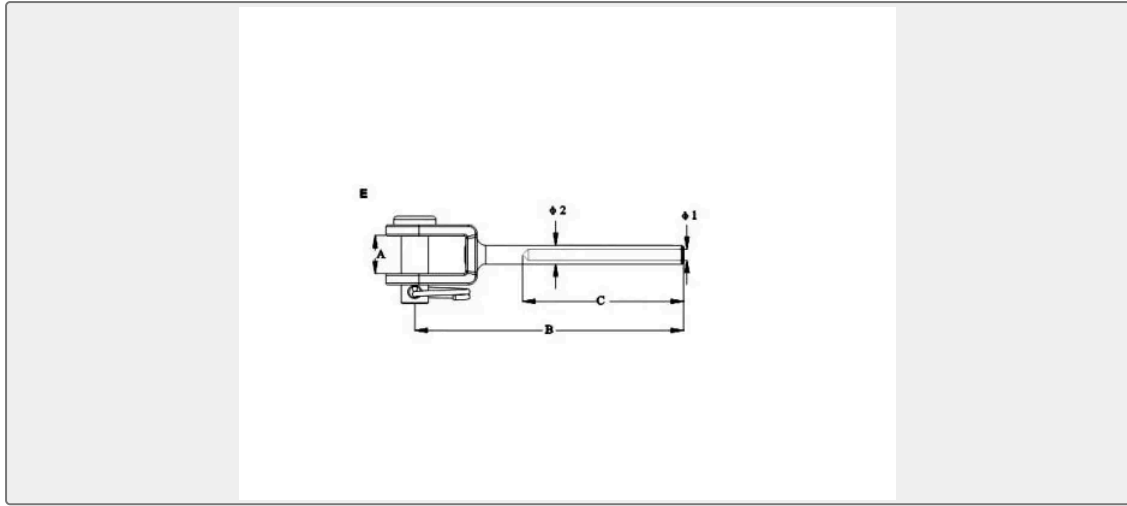
Category	Turnbuckle
Material	Stainless steel
Weight / Size	SIZE mm Φ mm Φ mm A mm B mm C mm SWL kgs BL kgs 2.7 2.7 5.45 6.5 55 24 1...
Certificate	ABS, LR, BV, DNVGL, NK, KR, IRS, RMRS, CCS

We can supply according to your requirement, drawings, class certificate needs, and delivery schedule.

Technical Specifications

Category	Turnbuckle	Model / SKU	FORK-TERMINAL-FORGED-SS304-OR-SS316
Material	Stainless steel	Weight / Size	SIZE mm Φ mm Φ mm A mm B mm C mm SWL kgs BL kgs 2.7 2.7 5.45 6.5 55 24 175 700 3.3 3.3 6.35 7.5 65 32 313 1250 4.2 4.2 7.5 10 77 40 450 1800 5.3 5.3 9 12 88 57 663 2650 6.4 6.4 12.5 14 106 63 1000 4000 8.4 8.4 16.1 15 145 85 1450 5800 10.5 10.5 17.8 17 150 89 1800 7200
Certificate	ABS, LR, BV, DNVGL, NK, KR, IRS, RMRS, CCS	Warranty	12 Months unless specified otherwise
Origin	China		

China Fork Terminal Forged, SS304 OR SS316:



SIZE mm	Φ mm	Φ mm	A mm	B mm	C mm	SWL kgs	BL kgs
2.7	2.7	5.45	6.5	55	24	175	700
3.3	3.3	6.35	7.5	65	32	313	1250
4.2	4.2	7.5	10	77	40	450	1800
5.3	5.3	9	12	88	57	663	2650
6.4	6.4	12.5	14	106	63	1000	4000
8.4	8.4	16.1	15	145	85	1450	5800
10.5	10.5	17.8	17	150	89	1800	7200