

Jinbo Marine

Marine & Offshore Equipment Datasheet


PRODUCT DATASHEET

CKY MARINE PUBLIC ADDRESS SYSTEM

FSX-2N Weatherproof Box

FSX-2N Weatherproof Box Color: Sea gray (B05) IP class:IP56 Weight:4.7Kg Stuffing box cable entrance hole size: 1-Φ14mm , 1-Φ18mm Applied to KG-1YF PA remote control box

- ISO9001 Supplier
- Class Certificate
- Export Supply



Key Highlights

Category	CKY Marine Public Address System
Standard	EN
Weight / Size	Sea gray (B05) IP class:IP56 Weight:4.7Kg Stuffing box cable entrance hol...
Certificate	ABS, LR, BV, DNVGL, NK, KR, IRS, RMRS, CCS

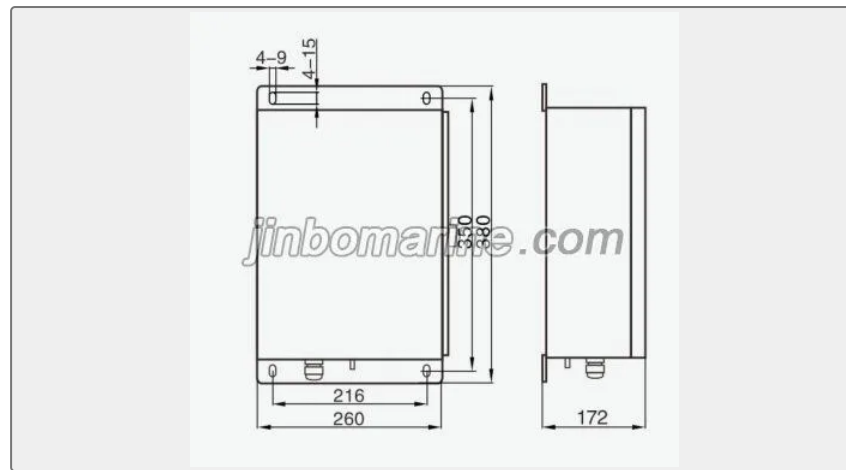
We can supply according to your requirement, drawings, class certificate needs, and delivery schedule.

Technical Specifications			
Category	CKY Marine Public Address System	Model / SKU	FSX-2N-Weatherproof-Box
Standard	EN	Weight / Size	Sea gray (B05) IP class:IP56 Weight:4.7Kg Stuffing box cable entrance hole size:
Certificate	ABS, LR, BV, DNVGL, NK, KR, IRS, RMRS, CCS	Warranty	12 Months unless specified otherwise
Origin	China		

China FSX-2N Weatherproof Box:

FSX-2N Weatherproof Box





Color: Sea gray (B05)

IP class:IP56

Weight:4.7Kg

Stuffing box cable entrance hole size: 1- Φ 14mm , 1- Φ 18mm

Applied to KG-1YF PA remote control box