

Jinbo Marine

Marine & Offshore Equipment Datasheet

PRODUCT DATASHEET

MARINE DAVIT AND CRANE

Fast Rescue Boat Landing Davit

Max. Working Load: 28KN Hoisting Load: 28KN Lowering Load: 28KN Hoisting Speed: ≥48 m/min Lowering Speed: 48-60 m/min Motor: 45KW Max. Width: 3125mm Main Specification

ISO9001 Supplier

Class Certificate

Export Supply



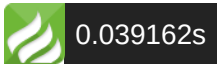
Key Highlights

Category	Marine Davit and crane
Standard	DIN
Weight / Size	3125mm Main Specification Type Hoisting Load Hoisting Speed Lowering Loa...
Certificate	ABS,LR, BV, GL,DNV,RINA, NK, KR, RS, IRS, CCS

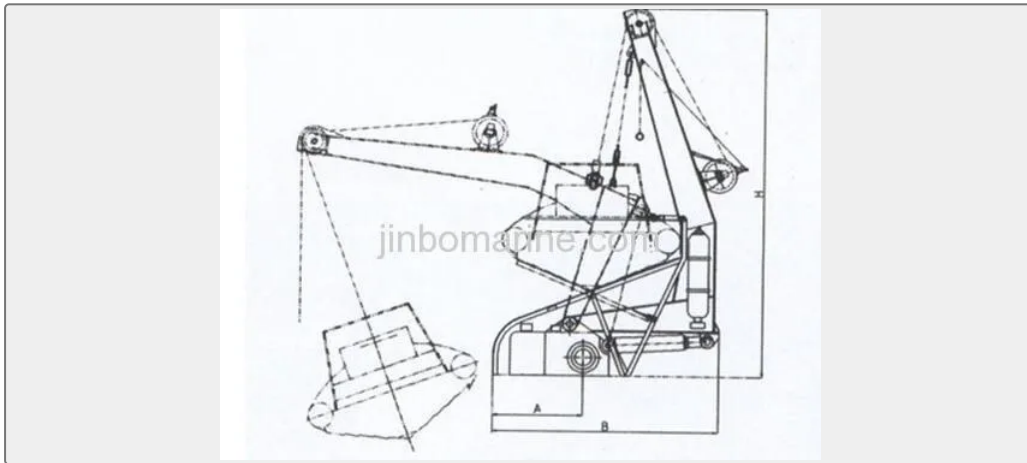
We can supply according to your requirement, drawings, class certificate needs, and delivery schedule.

Technical Specifications

Category	Marine Davit and crane	Model / SKU	Fast-Rescue-Boat-Landing-Davit
Standard	DIN	Weight / Size	3125mm Main Specification Type Hoisting Load Hoisting Speed Lowering Load Lowering speed Power Size(mm) KN m/min KN m/min kw A B H LFR-30 15 ≥48 15 50-60 37 2040 2520 4000 LFR- 30 21 ≥48 21 50-60 37 2505 3100 4300 LFR-30 27 ≥48 27 50-60 45 3290 3900 5460 LFR-35 35 ≥48 35 50-60 55 3120 3490 4890 LFR- 35 55 ≥48 55 50-60 90 3400 4100 5050
Certificate	ABS,LR, BV, GL,DNV,RINA, NK, KR, RS, IRS, CCS	Warranty	12 Months unless specified otherwise
Origin	China		



China Fast Rescue Boat Landing Davit:



Max. Working Load: 28KN
 Hoisting Load: 28KN
 Lowering Load: 28KN
 Hoisting Speed: ≥ 48 m/min
 Lowering Speed: 48-60 m/min
 Motor: 45KW
 Max. Width: 3125mm

Main Specification

Type	Hoisting Load	Hoisting Speed	Lowering Load	Lowering speed	Power	Size(mm)		
	KN	m/min	KN	m/min		kw	A	B
LFR-30	15	≥ 48	15	50-60	37	204 0	252 0	4000
LFR-30	21	≥ 48	21	50-60	37	250 5	310 0	4300
LFR-30	27	≥ 48	27	50-60	45	329	390	5460

LFR-35	35	≥ 48	35	50-60	55	312 0	349 0	4890
LFR-35	55	≥ 48	55	50-60	90	340 0	410 0	5050