

STEEL CARGO BLOCK

# Flayt Rope Blocks A

Drawing: Picture: Specification: stock no. will(t) wire(mm) No of Shvs dimensions(mm) weig...

ISO9001 Supplier

Class Certificate

Export Supply



### Key Highlights

<b>Category</b>	Steel Cargo Block
<b>Standard</b>	EN
<b>Weight / Size</b>	will(t) wire(mm) No of Shvs dimensions(mm) weight(kg) D1 D2 F ΦG ΦJ K L ...
<b>Certificate</b>	ABS, LR, BV, DNVGL, NK, KR, IRS, RMRS, CCS

We can supply according to your requirement, drawings, class certificate needs, and delivery schedule.

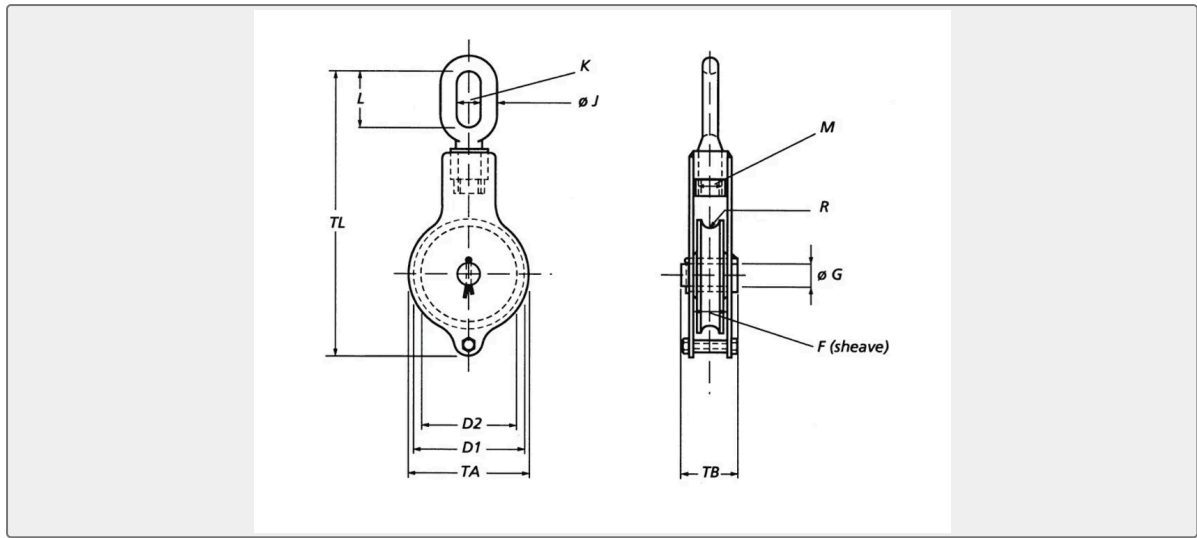
### Technical Specifications

<b>Category</b>	Steel Cargo Block	<b>Model / SKU</b>	Flayt-Rope-Blocks-A
<b>Standard</b>	EN	<b>Weight / Size</b>	will(t) wire(mm) No of Shvs dimensions(mm) weight(kg) D1 D2 F ΦG ΦJ K L M R TA TB TL 16.150.03.10 3 32 1 150 130 38 20 21 32 72 27 16.5 160 70 380 6.5 16.150.03.11 3 32 1 150 130 38 20 21 32 72 27 16.5 160 70 380 6.5 Product Advantage:
<b>Certificate</b>	ABS, LR, BV, DNVGL, NK, KR, IRS, RMRS, CCS	<b>Warranty</b>	12 Months unless specified otherwise
<b>Origin</b>	China		

**CONTENTS**

- Drawing:
- Specification:
- Packing and Delivery :
- Picture:
- Product Advantage:
- How to Order?

**Drawing:**



**Picture:**



[dqmarine.com](http://dqmarine.com)

**Specification:**

stock no.	will(t)	wire(mm)	No of Shvs	dimensions(mm)												weight(kg)
				D 1	D 2	F	Φ G	Φ J	K	L	M	R	T A	T B	T L	
16.150.03.10	3	32	1	150	130	38	20	21	32	72	27	16.5	160	70	380	6.5
16.150.03.11	3	32	1	150	130	38	20	21	32	72	27	16.5	160	70	380	6.5

## **Product Advantage:**

- 1.Satisfactory Quality
- 2.Competitive Price
- 3.Prompt Delivery
- 4.7x24 hours service

## **Packing and Delivery :**

1. Standard Export Packing or Seaworthy Packing, if you have special requirement, please specify when inquiry.
2. Fast Delivery, delivery time can negotiate when order.

## **How to Order?**

1. Please inform us the model, type or size you need.
2. Please inform us the quantity to make the best price for you.
3. Shipment Model: Air or Sea shipment.
4. Special requirement if any.