

STEEL CARGO BLOCK

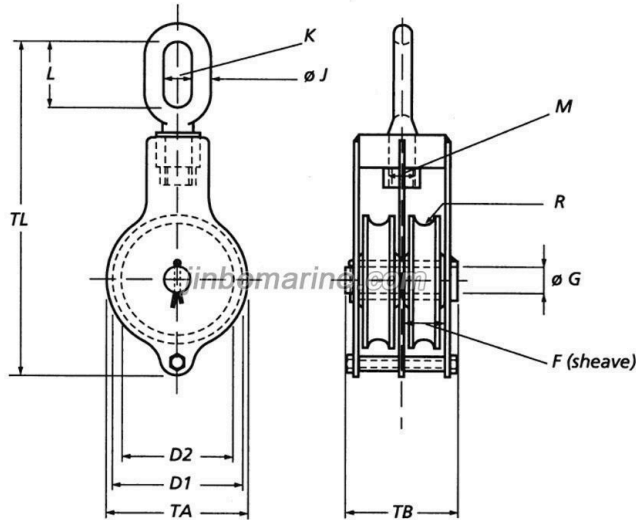
Flayt Rope Blocks B

Drawing: Specification: stock no. will(t) wire(mm) No of Shvs dimensions(mm) weight(kg) ...

ISO9001 Supplier

Class Certificate

Export Supply



Key Highlights

Category	Steel Cargo Block
Standard	EN
Weight / Size	will(t) wire(mm) No of Shvs dimensions(mm) weight(kg) D1 D2 F øG øJ K L ...
Certificate	ABS, LR, BV, DNVGL, NK, KR, IRS, RMRS, CCS

We can supply according to your requirement, drawings, class certificate needs, and delivery schedule.

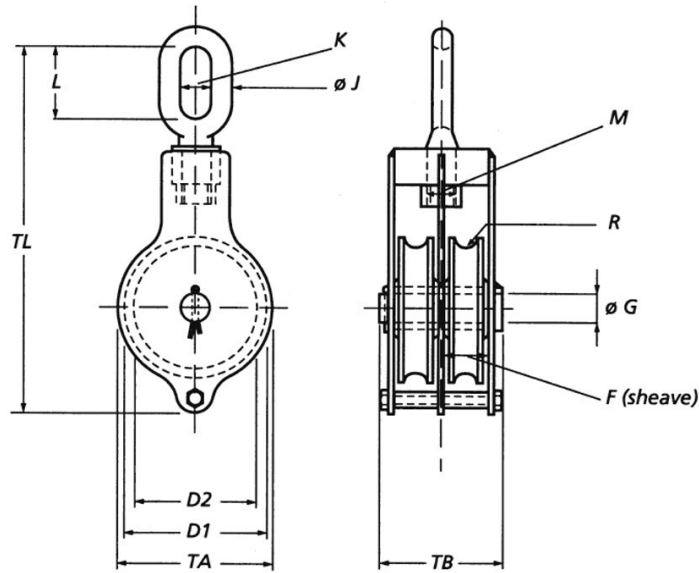
Technical Specifications

Category	Steel Cargo Block	Model / SKU	Flayt-Rope-Blocks-B
Standard	EN	Weight / Size	will(t) wire(mm) No of Shvs dimensions(mm) weight(kg) D1 D2 F øG øJ K L M R TA TB TL 16.150.05.20 5 32 2 150 130 38 20 26 40 94 33 16.5 160 115 425 12 16.150.05.21 5 32 2 150 130 38 20 26 40 94 33 16.5 160 115 425 12 Product Advantage:
Certificate	ABS, LR, BV, DNVGL, NK, KR, IRS, RMRS, CCS	Warranty	12 Months unless specified otherwise
Origin	China		

CONTENTS

- Drawing:
- Product Advantage:
- How to Order?
- Specification:
- Packing and Delivery :

Drawing:



Specification:

stock no.	will(t)	wire(mm)	No of Shvs	dimensions(mm)												weight(kg)
				D 1	D 2	F	ϕ G	ϕ J	K	L	M	R	T A	T B	T L	
16.150.05.20	5	32	2	150	130	38	20	26	40	94	33	16.5	106	115	42.5	12
16.150.05.21	5	32	2	150	130	38	20	26	40	94	33	16.5	106	115	42.5	12

Product Advantage:

- 1.Satisfactory Quality
- 2.Competitive Price
- 3.Prompt Delivery
- 4.7x24 hours service

Packing and Delivery :

1. Standard Export Packing or Seaworthy Packing, if you have special requirement, please specify when inquiry.
2. Fast Delivery, delivery time can negotiate when order.

How to Order?

1. Please inform us the model, type or size you need.
2. Please inform us the quantity to make the best price for you.
3. Shipment Model: Air or Sea shipment.
4. Special requirement if any.