

MARINE LEVEL SWITCH

Float Level Controller UQK-02-C

Product Specification: Marine Float Level Controller UQK-02-C is widely used in the ship chemical industry and other industrial instrument to carry two place controlling and alarm to the level in liquid tank. ...

- ISO9001 Supplier
- Class Certificate
- Export Supply



Key Highlights

Category	Marine Level Switch
Standard	EN
Certificate	CCS, GL, LR, BV, ABS, DNV GL, RINA, NK, KR ETC.

We can supply according to your requirement, drawings, class certificate needs, and delivery schedule.

Technical Specifications

Category	Marine Level Switch	Model / SKU	Float-Level-Controller-UQK-02-C
Standard	EN	Certificate	CCS, GL, LR, BV, ABS, DNV GL, RINA, NK, KR ETC.
Warranty	12 Months unless specified otherwise	Origin	China

Product Specification:

Marine Float Level Controller UQK-02-C is widely used in the ship chemical industry and other industrial instrument to carry two place controlling and alarm to the level in liquid tank.

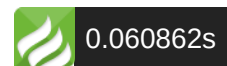
It is horizontal mounted type.

If client need, it can be equip with self test device, and it can be explosion proof type.

Control range: 25 to 550mm.

Nominal pressure: ≤1Mpa

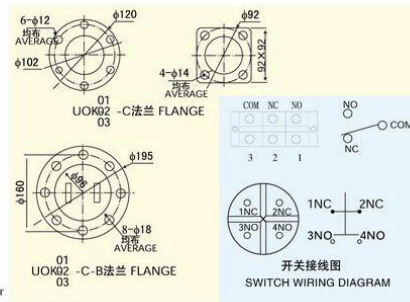
Medium temperature: ≤120°C



Explosion proof type: Ex d II CT3~T6, Ex ia II CT3~T5.

Protection: IP66 or IP68

型号标记 MODEL SIGN



Model	Control range	Regulated type	Mounting position	Contact capacity	Float diameter(mm)
UQK-01-C	15~30	Fixed value Unadjustable	Horizontal mounting	SPDT AC 220V 1.5A suit for 250VAC 10A DC125V 0.6A 2 x SPDT(optional)	50 60 76
UQK-01-C-B					
UQK-01-C	25~550	Can be adjust by step	Top mounting		50 60 76
UQK-02-C			Horizontal mounting		
UQK-02-C-B					
UQK-03-C	8~1000	Stepless,adjustable	Top mounting		
UQK-03-C-B					

