

Jinbo Marine

Marine & Offshore Equipment Datasheet

PRODUCT DATASHEET

CONNECTORS

Forelock End Shackle

Main Specification Material: Alloy Steel Size:19mm to 87mm Finish: Black Painting or as request Size Table Chain Dia. (mm) G...

ISO9001 Supplier

Class Certificate

Export Supply



Key Highlights

Category	Connectors
Standard	EN
Material	Alloy Steel
Weight / Size	Alloy Steel Size:19mm to 87mm Finish:
Certificate	ABS, LR, BV, DNVGL, NK, KR, IRS, RMRS, CCS

We can supply according to your requirement, drawings, class certificate needs, and delivery schedule.

Technical Specifications

Category	Connectors	Model / SKU	Forelock-End-Shackle
Standard	EN	Material	Alloy Steel
Weight / Size	Alloy Steel Size:19mm to 87mm Finish:	Surface	Black Painting
Certificate	ABS, LR, BV, DNVGL, NK, KR, IRS, RMRS, CCS	Warranty	12 Months unless specified otherwise
Origin	China		

CONTENTS

 Main Specification

 Size Table

Main Specification

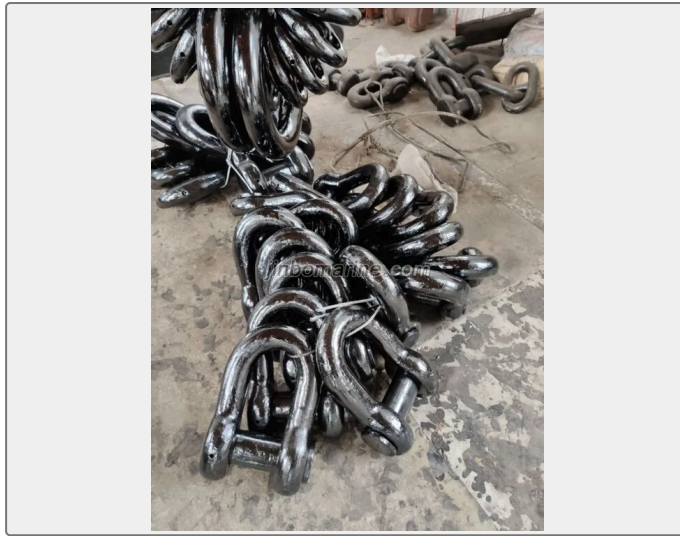
Material: Alloy Steel

Size:19mm to 87mm

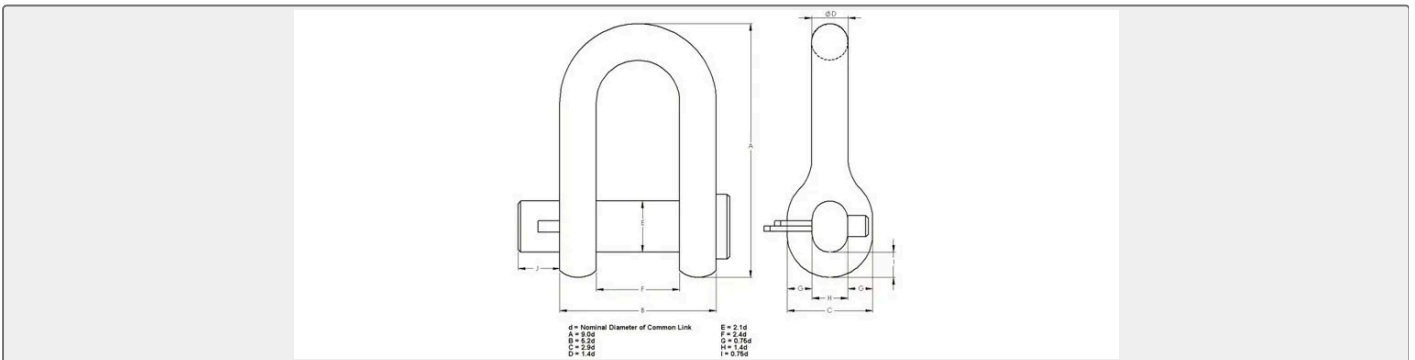
Finish: Black Painting or as request



0.047984s



Size Table



Chain Dia. (mm)	Grade U2		Grade U3	
	SWL(kn)	MBL(kn)	SWL(kn)	MBL(kn)
19	45	223	67	335
20.5	52	260	78	389
22	60	299	90	449
24	71	356	107	534



26	84	418	125	626
28	97	484	145	726
30	111	556	167	834
32	127	633	190	949
34	143	714	214	1071
36	160	801	240	1201
38	178	892	268	1338
40	198	988	297	1483
42	218	1090	327	1635
44	239	1196	359	1794
46	261	1307	392	1961
48	285	1423	427	2135
50	309	1544	463	2317
52	334	1670	501	2506
54	360	1801	540	2702
56	387	1937	581	2906
58	416	2078	623	3117
60	445	2224	667	3336
62	475	2375	712	3562
64	506	2530	759	3796
66	538	2691	807	4037
68	571	2857	857	4285
70	605	3027	908	4541
73	658	3292	988	4938
76	714	3568	1070	5352
78	752	3759	1128	5638
81	811	4053	1216	6080
84	872	4359	1308	6538
87	935	4676	1403	7014

