

# Jinbo Marine

Marine &amp; Offshore Equipment Datasheet

PRODUCT DATASHEET

## CONTAINER LASHING EQUIPMENT

## Forged Steel Flush D Ring

1.All items are approved by major classification societies 2.customized design is available.

Material: Forged steel Finish: paint /hot dip galvanized Weight:12kg MIN BREAKING

LOAD:360KN C...

ISO9001 Supplier

Class Certificate

Export Supply



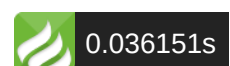
### Key Highlights

Category	Container Lashing Equipment
Standard	ISO
Material	Forged steel
Weight / Size	paint /hot dip galvanized Weight:12kg MIN BREAKING LOAD:360KN Certificat...
Certificate	GL certificate

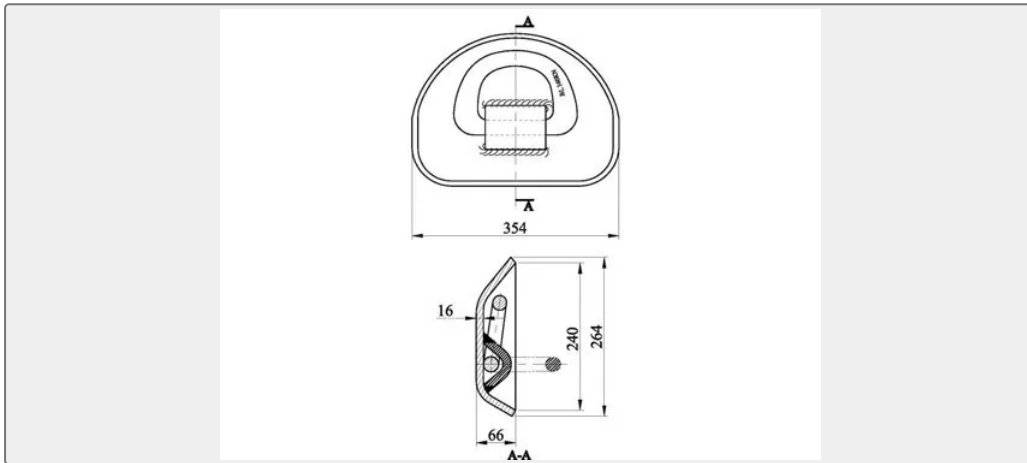
We can supply according to your requirement, drawings, class certificate needs, and delivery schedule.

### Technical Specifications

Category	Container Lashing Equipment	Model / SKU	Forged-Steel-Flush-D-Ring
Standard	ISO	Material	Forged steel
Weight / Size	paint /hot dip galvanized Weight:12kg MIN BREAKING LOAD:360KN Certification:	Surface	hot dip galvanized
Certificate	GL certificate	Warranty	12 Months unless specified otherwise
Origin	China		



## China Forged Steel Flush D Ring:



- 1.All items are approved by major classification societies
- 2.customized design is available.

Material: Forged steel

Finish: paint /hot dip galvanized

Weight:12kg

MIN BREAKING LOAD:360KN

Certification: All items are approved by major classification societies

Remarks: customized design is available

Our scope of supply( cotainer fastners ) covers the follows:

D-ring, Lashing plate, Raised ISO foundations, Dovetail foundations, Flush sockets, Sliding foundations, Guide cone, Guide block, Turnbuckles, Lashing rods, Extension rods, Manual twistlocks, Semi-automatic twistlocks, Midlocks, Sliding twistlocks, Bridge fittings, Single stackers, Double stackers, Hanging stackers, ETC.