

Jinbo Marine

Marine & Offshore Equipment Datasheet

PRODUCT DATASHEET

LIFTING & RIGGING

G-400 Eye Nuts, SS304 OR SS316

STD.TAP SIZE (in.) WORKING LOAD LIMIT (t)* WEIGHT each(kg) DIMENSIONS (in.) A C D
E ...

ISO9001 Supplier

Class Certificate

Export Supply



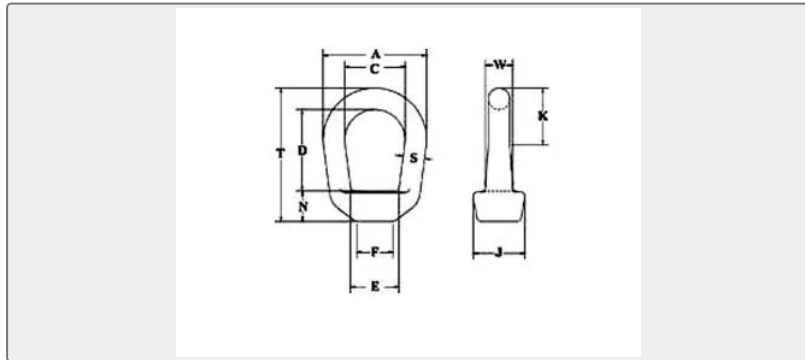
Key Highlights

Category	Lifting & Rigging
Standard	EN
Material	Stainless steel
Weight / Size	STD.TAP SIZE (in.) WORKING LOAD LIMIT (t)* WEIGHT each(kg) DIMENSIONS (i...
Certificate	ABS, LR, BV, DNVGL, NK, KR, IRS, RMRS, CCS

We can supply according to your requirement, drawings, class certificate needs, and delivery schedule.

Technical Specifications			
Category	Lifting & Rigging	Model / SKU	G-400-EYE-NUTS-SS304-OR-SS316
Standard	EN	Material	Stainless steel
Weight / Size	STD.TAP SIZE (in.) WORKING LOAD LIMIT (t)* WEIGHT each(kg) DIMENSIONS (in.) A C D E F J K N T W 1/4 0.24 0.04 31.8 19.1 25.4 19.1 12.7 17.5 16 11.7 43.7 7.85 3/8 0.57 0.08 41.1 25.4 30.5 21.1 14.2 20.6 22.6 14.7 53 10.4 1/2 1.02 0.13 51 31.8 36.6 27.4 20.6 25.4 27.7 18.5 63.5 12.7 5/8 1.63 0.27 63.5 38.1 48.8 34.3 25.4 33.3 33.3 21.1 82.5 17.5 3/4 2.36 0.45 76 44.5 58 40.4 28.4 38.1 39.9 26.7 100 21.3 7/8 3.27 0.75 89 51 63.5 49.8 35.1 47.8 45 29 111 25.4 1 4.54 1.22 102 57 74 56 39.6 54 51.5 33 129 30.2 1-1/4 7.03 1.98 114 63.5 85 62.5 47.8 60.5 57.5 38.6 149 35.1 1-3/8 8.39 2.27 127 70 102 68.5 51 65 64.5 42.4 165 38.1 1-1/2 10.21 3.08 143 79 109 78.5 57 76 71.5 46.5 179 42.2 2 18.14 6.62 181 104 152 104 79.5 95.5 93.5 63 257 49.3	Certificate ABS, LR, BV, DNVGL, NK, KR, IRS, RMRS, CCS	
Warranty	12 Months unless specified otherwise	Origin	China

China G-400 Eye Nuts, SS304 OR SS316:



STD.TAP SIZE (in.)	WORKING LOAD LIMIT (t)*	WEIGHT each(kg)	DIMENSIONS (in.)														
			A	C	D	E	F	J	K	N	T	W					
1/4	0.24	0.04	31.8	19.1	25.4	19.1	12.7	17.5	16	11.7	43.7	7.85	3/8	0.57	0.08	41.1	25.4
3/8	0.57	0.08	41.1	25.4	30.5	21.1	14.2	20.6	22.6	14.7	53	10.4	1/2	1.02	0.13	51	31.8
1/2	1.02	0.13	51	31.8	36.6	27.4	20.6	25.4	27.7	18.5	63.5	12.7	5/8	1.63	0.27	63.5	38.1
5/8	1.63	0.27	63.5	38.1	48.8	34.3	25.4	33.3	33.3	21.1	82.5	17.5	3/4	2.36	0.45	76	44.5
3/4	2.36	0.45	76	44.5	58	40.4	28.4	38.1	39.9	26.7	100	21.3	7/8	3.27	0.75	89	51
7/8	3.27	0.75	89	51	63.5	49.8	35.1	47.8	45	29	111	25.4	1	4.54	1.22	102	57
1	4.54	1.22	102	57	74	56	39.6	54	51.5	33	129	30.2	1-1/4	7.03	1.98	114	63.5
1-1/4	7.03	1.98	114	63.5	85	62.5	47.8	60.5	57.5	38.6	149	35.1	1-3/8	8.39	2.27	127	70
1-3/8	8.39	2.27	127	70	102	68.5	51	65	64.5	42.4	165	38.1	1-1/2	10.21	3.08	143	79
1-1/2	10.21	3.08	143	79	109	78.5	57	76	71.5	46.5	179	42.2	2	18.14	6.62	181	104
2	18.14	6.62	181	104	152	104	79.5	95.5	93.5	63	257	49.3					

1/4	0.24	0.04	31.8	19.1	25.4	19.1	12.7	17.5	16	11.7	43.7	7.85
3/8	0.57	0.08	41.1	25.4	30.5	21.1	14.2	20.6	22.6	14.7	53	10.4
1/2	1.02	0.13	51	31.8	36.6	27.4	20.6	25.4	27.7	18.5	63.5	12.7
5/8	1.63	0.27	63.5	38.1	48.8	34.3	25.4	33.3	33.3	21.1	82.5	17.5
3/4	2.36	0.45	76	44.5	58	40.4	28.4	38.1	39.9	26.7	100	21.3
7/8	3.27	0.75	89	51	63.5	49.8	35.1	47.8	45	29	111	25.4
1	4.54	1.22	102	57	74	56	39.6	54	51.5	33	129	30.2
1-1/4	7.03	1.98	114	63.5	85	62.5	47.8	60.5	57.5	38.6	149	35.1
1-3/8	8.39	2.27	127	70	102	68.5	51	65	64.5	42.4	165	38.1
1-1/2	10.21	3.08	143	79	109	78.5	57	76	71.5	46.5	179	42.2
2	18.14	6.62	181	104	152	104	79.5	95.5	93.5	63	257	49.3