

Jinbo Marine

Marine & Offshore Equipment Datasheet

PRODUCT DATASHEET

CHAIN SLING

G80 Eye Swivel Hoist Ring

Item Model Load WLL(T) Screw Thread (M) Unit (mm) Net Weight (kg) A B C ...

ISO9001 Supplier

Class Certificate

Export Supply



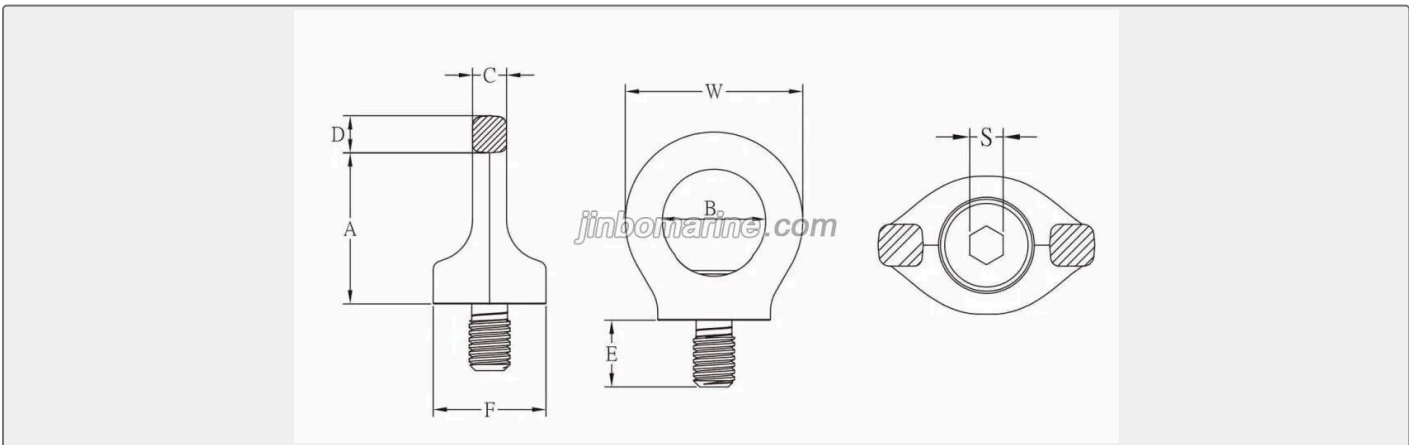
Key Highlights

Category	Chain Sling
Material	Alloy Steel Forging
Weight / Size	Item Model Load WLL(T) Screw Thread (M) Unit (mm) Net Weight (kg) A B C D...
Certificate	ABS, LR, BV, DNVGL, NK, KR, IRS, RMRS, CCS

We can supply according to your requirement, drawings, class certificate needs, and delivery schedule.

Technical Specifications			
Category	Chain Sling	Model / SKU	G80-Eye-Swivel-Hoist-Ring
Material	Alloy Steel Forging	Weight / Size	Item Model Load WLL(T) Screw Thread (M) Unit (mm) Net Weight (kg) A B C D E F S W YD084-08 0.3 8 34 25 8.5 11 12 28 6 47 0.2 YD084-10 0.4 10 34 25 8.5 11 15 28 6 47 0.2 YD084-12 0.75 12 42 30 10 13 18 34 8 56 0.3 YD084-14 0.75 14 42 30 10 13 18 34 8 56 0.3 YD084-16 1.5 16 49 35 14 15 24 40 10 65 0.4 YD084-18 1.5 18 49 35 14 15 24 40 10 65 0.4 YD084-20 2.3 20 57 40 16 17 30 50 12 75 0.6 YD084- 22 2.3 22 57 40 16 17 30 50 12 75 0.6 YD084-24 3.2 24 70 48 19 21 36 62 14 90 1 YD084-27 3.2 27 70 48 19 21 36 62 14 90 1 YD084-30 4.5 30 86 60 24 26 45 75 17 112 1.8 YD084-33 4.5 33 86 60 24 26 45 75 17 112 1.9 YD084-36 7 36 103 72 29 32 54 90 22 135 3 YD084-42 9 42 120 82 34 38 63 105 24 158 4.7 YD084-48 12 48 137 94 38 43 72 120 27 180 7.5
Certificate	ABS, LR, BV, DNVGL, NK, KR, IRS, RMRS, CCS	Warranty	12 Months unless specified otherwise
Origin	China		

China G80 Eye Swivel Hoist Ring:



Item Model	Load WLL(T)	Screw Thread (M)	Unit (mm)								Net Weight (kg)
			A	B	C	D	E	F	S	W	

YD084-08	0.3	8	34	25	8.5	11	12	28	6	47	0.2
YD084-10	0.4	10	34	25	8.5	11	15	28	6	47	0.2
YD084-12	0.75	12	42	30	10	13	18	34	8	56	0.3
YD084-14	0.75	14	42	30	10	13	18	34	8	56	0.3
YD084-16	1.5	16	49	35	14	15	24	40	10	65	0.4
YD084-18	1.5	18	49	35	14	15	24	40	10	65	0.4
YD084-20	2.3	20	57	40	16	17	30	50	12	75	0.6
YD084-22	2.3	22	57	40	16	17	30	50	12	75	0.6
YD084-24	3.2	24	70	48	19	21	36	62	14	90	1
YD084-27	3.2	27	70	48	19	21	36	62	14	90	1
YD084-30	4.5	30	86	60	24	26	45	75	17	112	1.8
YD084-33	4.5	33	86	60	24	26	45	75	17	112	1.9
YD084-36	7	36	103	72	29	32	54	90	22	135	3
YD084-42	9	42	120	82	34	38	63	105	24	158	4.7
YD084-48	12	48	137	94	38	43	72	120	27	180	7.5