

Jinbo Marine

Marine & Offshore Equipment Datasheet

PRODUCT DATASHEET

CHAIN SLING

G80 Weld on Hook

Item No: Size WLL Breaking load T Technical Data Weight kg B C ...

ISO9001 Supplier

Class Certificate

Export Supply



Key Highlights

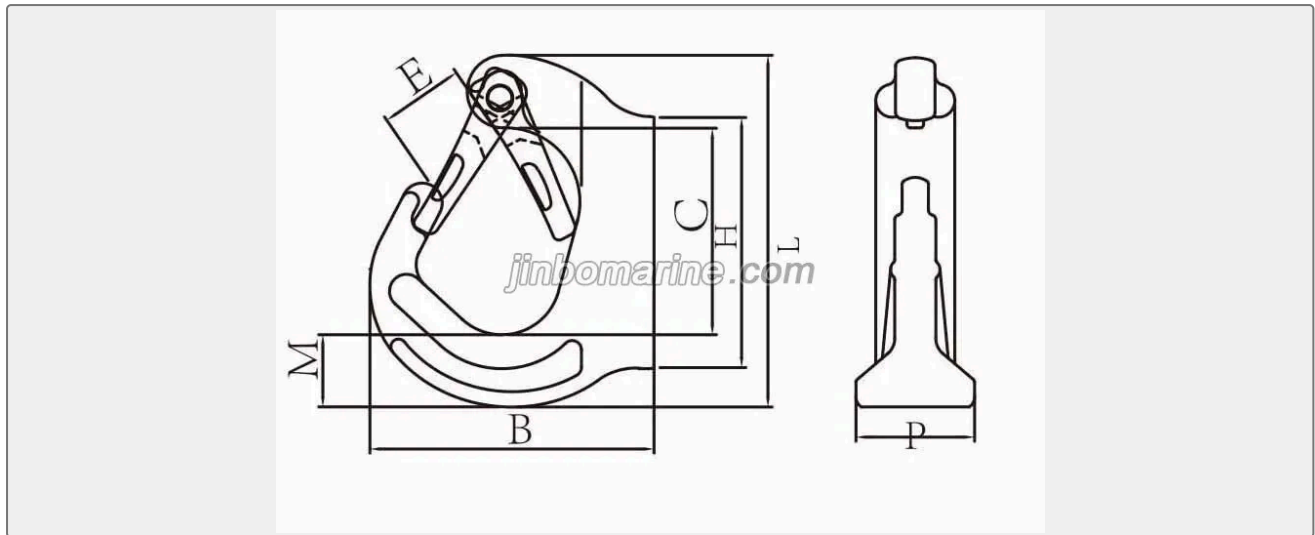
Category	Chain Sling
Material	Alloy Steel Forging
Weight / Size	Size WLL Breaking load T Technical Data Weight kg B C E L YD-072-02 2 ...
Certificate	ABS, LR, BV, DNVGL, NK, KR, IRS, RMRS, CCS

We can supply according to your requirement, drawings, class certificate needs, and delivery schedule.

Technical Specifications

Category	Chain Sling	Model / SKU	G80-Weld-on-Hook
Material	Alloy Steel Forging	Weight / Size	Size WLL Breaking load T Technical Data Weight kg B C E L YD-072-02 2 2 10 92 67 30 114 0.83 YD-072-03 3 3 15 106 73.5 33.2 129 1.2 YD-072-05 5 5 25 133 94 39 171 2.46 YD-072-08 8 8 40 136.5 94 35 177 3.26 YD-072- 10 10 10 50 169.5 134.5 50.54 223 5.17 YD-072-15 15 15 75 184 155 54 255 8
Certificate	ABS, LR, BV, DNVGL, NK, KR, IRS, RMRS, CCS	Warranty	12 Months unless specified otherwise
Origin	China		

China G80 Weld on Hook:



Item No:	Size	WLL	Breaking load T	Technical Data				Weight kg
				B	C	E	L	
YD-072-02	2	2	10	92	67	30	114	0.83
YD-072-03	3	3	15	106	73.5	33.2	129	1.2
YD-072-05	5	5	25	133	94	39	171	2.46
YD-072-08	8	8	40	136.5	94	35	177	3.26
YD-072-10	10	10	50	169.5	134.5	50.54	223	5.17
YD-072-15	15	15	75	184	155	54	255	8