

Jinbo Marine

Marine & Offshore Equipment Datasheet

PRODUCT DATASHEET

GLOBE VALVE

GB Stainless Steel Globe Valve

Standard: Design Standard : GB/T 12235 Flange End : JB/T 79 (or JIS, ANSI, BS,DIN) Test and Inspection : JB/T 9002 Marking : GB/T 12220 Supply Standard : JB/T 7928 Face to Face : GB/T 12221 Feature: 1.S...

ISO9001 Supplier

Class Certificate

Export Supply



Key Highlights

Category	Globe Valve
Standard	JIS
Material	304, 304L, 316, 316L
Weight / Size	Size:
Certificate	Mill Certificate

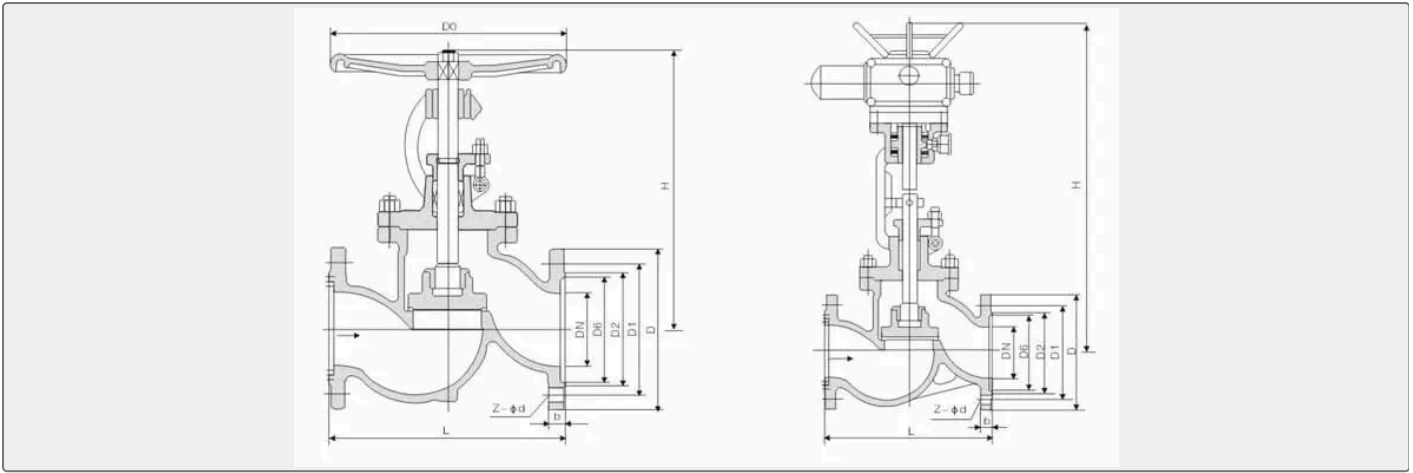
We can supply according to your requirement, drawings, class certificate needs, and delivery schedule.

Technical Specifications

Category	Globe Valve	Model / SKU	GB-Stainless-Steel-Globe-Valve
Standard	JIS	Material	304, 304L, 316, 316L
Weight / Size	Size:	Certificate	Mill Certificate
Warranty	12 Months unless specified otherwise	Origin	China

CONTENTS

- Standard:
- Specification:
- Feature:
- Main Part Material:



Standard:

- Design Standard : GB/T 12235
- Flange End : JB/T 79 (or JIS, ANSI, BS,DIN)
- Test and Inspection : JB/T 9002
- Marking : GB/T 12220
- Supply Standard : JB/T 7928
- Face to Face : GB/T 12221

Feature:

- 1.Streamline outside screw and yoke
- 2.Bolted bonnet
- 3.Loose disc
- 4.Rising stem and hand wheel
- 5.Yoke integral with bonnet
- 6.Avail able with gear operator
- 7.Flanged ends

Specification:

- Size: DN10~DN300
- Pressure: 0.6~16Mpa
- Woring Temperature:-29 ~ 550°C

Nominal Pressure	1.6	2.5	4	6.4	10	16
Strength Test	2.4	3.8	6	9.6	15	24
Water Sealing Test	1.8	2.8	4.4	7.4	11	18
Seat Sealing Test	1.8	2.8	4.4	7.4	11	18
Air Sealing Test	0.4~0.7					



Main Part Material:

Part Name	Part Material			
Body/Bonnet	WCB	ZGCr5Mo	ZG1Cr18Ni9Ti	ZG1Cr18Ni12Mo2Ti
Disc	WCB	25Cr2MoV	1Cr18Ni9Ti	1Cr18Ni12Mo2Ti
Stem	2Cr13	25Cr2MoV	1Cr18Ni9Ti	1Cr18Ni12Mo2Ti
Packing	Flexible Graphite		PTFE	
Gasket	18-8Flexible Graphite			
Bolt	35/35CrMo	25Cr2MoV	1Cr18Ni9Ti	1Cr18Ni9
Suitable Temp	-29~425°C	-29~425°C	-40~200°C	-40~200°C
Suitable Medium	Water , Oil , Steam	Steam , Oil	Nitric Acid	Acetic Acid