

STERN TUBE BEARING

GB/T 14364 Type A Sliding Intermediate Bearing

- ISO9001 Supplier
- Class Certificate
- Export Supply

type A is used for shaft size 80-220mm. Easy install and High Quality. Size D L L1 L2 H

...



Key Highlights

Category	Stern Tube Bearing
Standard	DIN
Material	Steel
Weight / Size	type A is used for shaft size 80-220mm.
Certificate	ABS, LR, BV, DNVGL, NK, KR, IRS, RMRS, CCS

We can supply according to your requirement, drawings, class certificate needs, and delivery schedule.

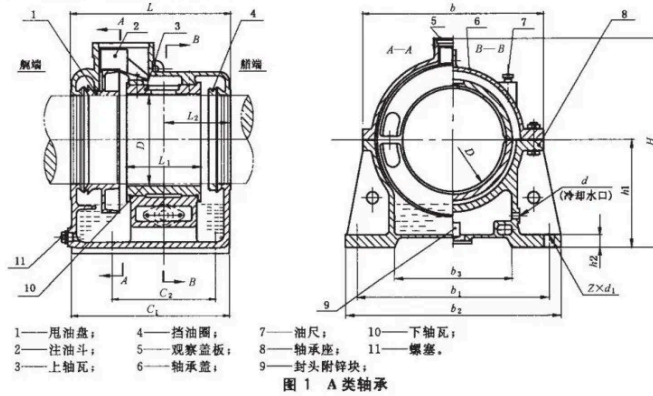
Technical Specifications

Category	Stern Tube Bearing	Model / SKU	GB-T-14364-Type-A-Sliding-Intermediate-Bearing
Standard	DIN	Material	Steel
Weight / Size	type A is used for shaft size 80-220mm.	Certificate	ABS, LR, BV, DNVGL, NK, KR, IRS, RMRS, CCS
Warranty	12 Months unless specified otherwise	Origin	China

China GB/T 14364 Type A Sliding Intermediate Bearing:

type A is used for shaft size 80-220mm. Easy install and High Quality.





Size D	L	L1	L2	H	h1	h2	b	b1
80	190	65	79.5	262	135	23	220	250
100	200	80	85.0	270	145	23	240	270
120	225	100	97.0	312	160	25	270	300
140	250	115	107.5	370	190	28	300	330
160	280	130	119.0	400	205	28	330	360
180	335	145	130.0	485	265	30	360	400
200	350	160	150.0	496	275	35	390	430
220	380	180	164.0	544	292	38	430	470

Size D	b2	b3	C1	Ca	d	Zxd1	Weight KG
80	300	115	185	135	G3/4"	4X21	35
100	320	120	195	145	G3/4"	4X21	40
120	350	150	220	170	G3/4"	4X21	50
140	380	170	245	195	G3/4"	4X21	63
160	410	200	275	225	G3/4"	4X21	75
180	460	220	330	270	25	4X25	124



200	490	250	345	285	25	4X25	136
220	530	280	375	315	25	4X25	165