

# Jinbo Marine

Marine &amp; Offshore Equipment Datasheet

PRODUCT DATASHEET

## CHAIN STOPPER

# GB/T 178-96 Spiral Type Chain Stopper

GB/T 178-96 spiral type chain stopper(also known as Swivel type chain stopper and Screw type chain stopper) is a device between anchor windlass and hawsepipe, it can fix the anchor chain prevent it roll out. .When the v...

ISO9001 Supplier

Class Certificate

Export Supply



### Key Highlights

Category	Chain Stopper
Standard	JIS
Material	Cast Steel
Weight / Size	When sailing it stand the anchor weight and inertial force.
Certificate	mill certificate

We can supply according to your requirement, drawings, class certificate needs, and delivery schedule.

### Technical Specifications

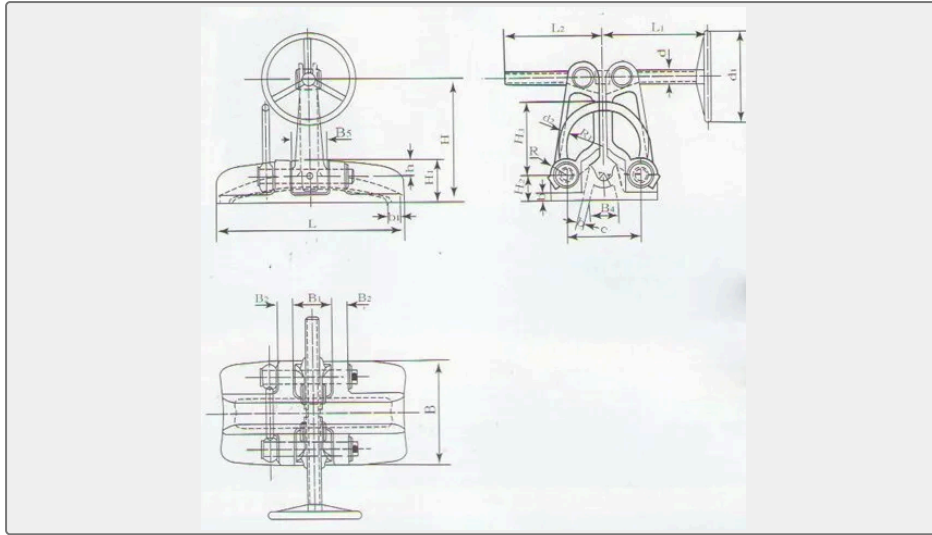
Category	Chain Stopper	Model / SKU	GB-T-178-96-Spiral-Type-Chain-Stopper
Standard	JIS	Material	Cast Steel
Weight / Size	When sailing it stand the anchor weight and inertial force.	Surface	Grey Epoxy Primer, for the middle paint and surface according to your requirement.
Certificate	mill certificate	Warranty	12 Months unless specified otherwise
Origin	China		

#### CONTENTS

- China GB/T 178-96 Spiral Type Chain Stopper:
- Feature:
- Specification:



# China GB/T 178-96 Spiral Type Chain Stopper:



GB/T 178-96 spiral type chain stopper(also known as Swivel type chain stopper and Screw type chain stopper) is a device between anchor windlass and hawsepipes, it can fix the anchor chain prevent it roll out. When the vessel mooring, chain stopper transport the pull strength of anchor and chain to vessel, can reduce the working load protect the anchor windlass. When sailing it stand the anchor weight and inertial force. Customized service is available, Advanced equipment, Strong consciousness in controlling quality

## Feature:

1. Excellent quality.
2. Competitive price.
3. Durable, long lifetime.
4. Certificate: CCS BV ABS.

Process: casting, forging, welding, casting

Provide CCS, ABS, NR, DNV, etc certificate

Material: ZG200-400, ZG230-450

Suitable chain cable Dia.: from 17mm---132mm

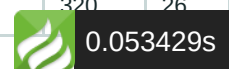
Type can supplied: JIS F2033, JIS F2002, JIS F2023, JISF2015,

Paint: Grey Epoxy Primer, for the middle paint and surface according to your requirement.

Withstand 80% of Chain Cable's breaking load

## Specification:

GB/T 178-96 spiral type chain stopper												
Suitable for chain diameter 22-102mm, A type suitable to grade 2 anchor chain.												
Chain diameter	B	B1	B2	B3	B4	B5	b1	b2	c	d	d1	d2
22-26	280	104	40	94	76	84	20	35	190	T26*8/2	250	25
28-32	310	118	45	114	92	90	25	40	210	T28*8/2	320	26



34-38	360	134	50	136	110	105	30	45	250	T30*10/2	320	30
40-44	420	152	55	160	128	120	35	50	290	T32*10/2	400	34
46-48	480	172	65	186	145	130	40	60	330	T36*10/2	400	36
52-58	550	192	75	214	166	150	45	75	380	T40*10/2	400	40
60-66	640	212	85	250	190	170	50	90	440	T44*12/2	500	40