

# Jinbo Marine

Marine & Offshore Equipment Datasheet

PRODUCT DATASHEET

## STERN TUBE BEARING

# GB/T14364-93 Gliding Intermediate Bearing

ISO9001 Supplier

Class Certificate

Export Supply

Marine sliding type shafting intermediate shaft bearing is designed and manufactured according to GB/T14364-93 standard, which is widely applied in the intermediate bearing of new build export marine propellers. Sco...



### Key Highlights

**Category** Stern Tube Bearing

**Standard** DIN

**Weight / Size** Scope of application linear velocity 1.5~8 m/s unit pressure  $\leq 0.6$  Mpa lu...

**Certificate** CCS, ABS, BV

We can supply according to your requirement, drawings, class certificate needs, and delivery schedule.



### Technical Specifications

|                 |                    |                    |   |
|-----------------|--------------------|--------------------|---|
| <b>Category</b> | Stern Tube Bearing | <b>Model / SKU</b> | GB-T14364-93-Gliding-Intermediate-Bearing |
|-----------------|--------------------|--------------------|---|



| Standard | DIN | Weight / Size | <p>Scope of application linear velocity 1.5~8 m/s unit pressure ≤0.6 Mpa lubricating oil temperature 650C cooling water amount 0.5~7 t/h Type Structural style Shaft diameter Parameter for design A Single oil wedge sliding type with upper bearing shell 80~220 For the intermediate shaft bearing of minimal ship which close to stern tube or after compute which have load pressure B Multiply oil wedge sliding type 250~800 For the intermediate shaft bearing of large ship C Multiply oil wedge sliding type with upper bearing shell 250~800 For the intermediate shaft bearing of large ship which close to stern tube or after compute which have load pressure Technical Specification Type D L L1 H h1 h2 b b1 b2 b3 C1 C2 d z-d1 Weight(kg) mm A B C A 80 80 190 65 262 135 23 220 250 296 115 185 125 G3/4 '4-21 35 100 100 200 80 270 145 23 240 270 316 120 195 135 G3/4 '4-21 40 120 120 225 100 312 160 25 270 300 350 150 220 160 G3/4 '4-21 50 140 140 250 115 370 190 28 304 340 390 170 244 194 G3/4 '4-21 63 160 160 280 130 400 205 28 330 370 420 200 274 224 G3/4 '4-21 75 180 180 335 145 485 265 30 400 450 510 220 280 230 20 '4-25 124 200 200 350 160 496 275 35 410 450 510 270 326 250 20 '4-26 136 220 220 380 180 544 292 38 430 490 566 280 374 298 20 '4-27 165 B 250 250 420 195 580 300 40 490 530 610 320 322 250 20 4-32 173 187 280 280 450 215 620 310 40 520 560 630 340 340 270 20 4-32 177 191 300 300 480 230 635 320 40 550 590 660 360 370 298 20 4-32 205 223 320 320 500 250 690 350 50 580 630 700 380 390 320 20 4-32 235 265 350 350 530 270 780 400 50 650 700 780 420 418 334 20 4-38 310 360 380 380 560 290 700 420 55 710 760 840 430 460 300 0.044378s</p> |
|----------|-----|---------------|---|
|----------|-----|---------------|---|

401 474 400 400 590 300 810 440  
 55 730 780 860 450 490 400 25 4-  
 38 450 530 420 420 620 320 900  
 460 65 770 820 920 460 500 400  
 25 4-44 558 650 C 450 450 660  
 340 930 480 65 810 840 940 480  
 528 424 32 4-44 962 1090 480  
 480 680 360 960 500 65 820 870  
 970 500 545 445 32 4-50 1060  
 1100 500 500 710 380 1060 570  
 70 900 1000 1120 520 600 480 32  
 4-50 1100 1200 530 530 730 410  
 1090 580 70 920 1020 1140 550  
 620 500 32 4-50 1174 1320 560  
 560 780 430 1140 620 75 970  
 1080 1200 600 674 554 32 4-50  
 1350 1590 600 600 820 460 1180  
 650 75 1000 1130 1260 640 700  
 580 32 4-50 630 630 860 480  
 1220 670 80 1060 1170 1300 670  
 720 600 32 4-50 670 670 920 510  
 1260 690 85 1150 1250 1370 710  
 750 630 32 6-50 2000 710 710  
 960 540 1330 710 85 1200 1340  
 1470 900 800 670 32 6-50 750  
 750 1050 570 1400 750 90 1260  
 1420 1580 1000 850 710 32 6-50  
 800 800 1100 610 1480 800 90  
 1300 1460 1620 1100 920 760 32  
 6-50

|                    |              |                 |                                      |
|--------------------|--------------|-----------------|--------------------------------------|
| <b>Certificate</b> | CCS, ABS, BV | <b>Warranty</b> | 12 Months unless specified otherwise |
| <b>Origin</b>      | China        |                 |                                      |

**CONTENTS**

- China GB/T14364-93 Gliding Intermediate Bearing:
  - Scope of application
  - Technical Specification

## China GB/T14364-93 Gliding Intermediate Bearing:

Marine sliding type shafting intermediate shaft bearing is designed and manufactured according to GB/T14364-93 standard, which is widely applied in the intermediate bearing of new build export marine propellers.

### Scope of application

linear velocity 1.5~8 m/s

unit pressure  $\leq 0.6$  Mpa

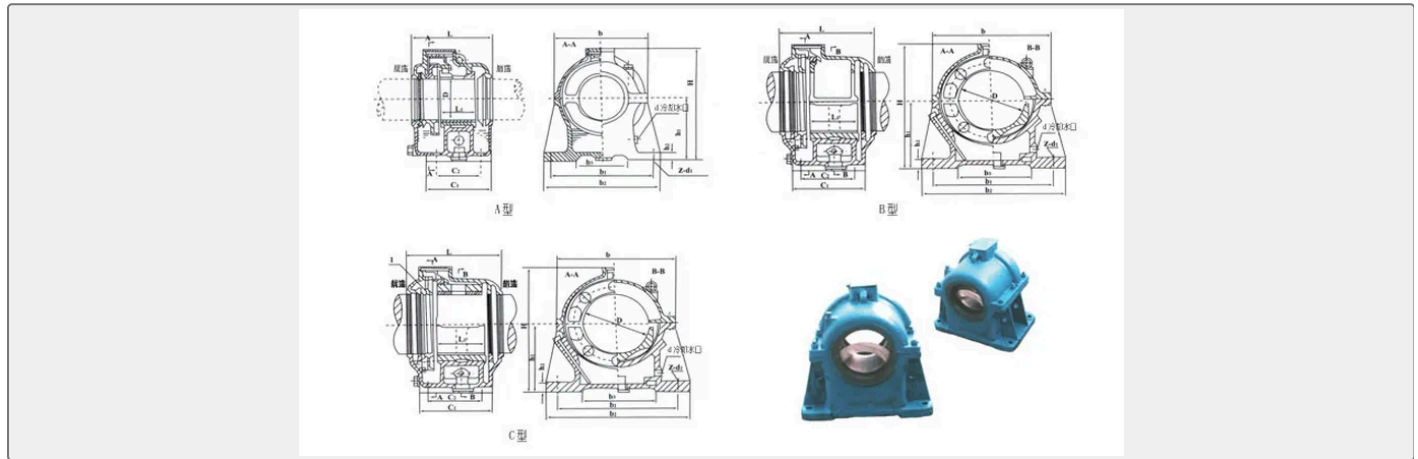
lubricating oil temperature 650C



cooling water amount 0.5~7 t/h

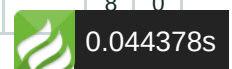
| Type | Structural style   | Shaft diameter | Parameter for design   |
|------|--|----------------|--|
| A    | Single oil wedge sliding type with upper bearing shell   | 80~220         | For the intermediate shaft bearing of minimal ship which close to stern tube or after compute which have load pressure |
| B    | Multiply oil wedge sliding type                          | 250~800        | For the intermediate shaft bearing of large ship   |
| C    | Multiply oil wedge sliding type with upper bearing shell | 250~800        | For the intermediate shaft bearing of large ship which close to stern tube or after compute which have load pressure   |

## Technical Specification



| Type | D  | L | L1 | H | h1 | h2 | b | b1 | b2 | b3 | C1 | C2 | d | z-d1 | Weight(kg) |   |   |
|------|----|---|----|---|----|----|---|----|----|----|----|----|---|------|------------|---|---|
|      | mm |   |    |   |    |    |   |    |    |    |    |    |   |      | A          | B | C |
|      |    |   |    |   |    |    |   |    |    |    |    |    |   |      |            |   |   |

|   |     |     |     |     |     |     |    |     |     |     |     |     |     |      |       |     |     |
|---|-----|-----|-----|-----|-----|-----|----|-----|-----|-----|-----|-----|-----|------|-------|-----|-----|
| A | 80  | 80  | 190 | 65  | 262 | 135 | 23 | 220 | 250 | 296 | 115 | 185 | 125 | G3/4 | '4-21 | 35  |     |
|   | 100 | 100 | 200 | 80  | 270 | 145 | 23 | 240 | 270 | 316 | 120 | 195 | 135 | G3/4 | '4-21 | 40  |     |
|   | 120 | 120 | 225 | 100 | 312 | 160 | 25 | 270 | 300 | 350 | 150 | 220 | 160 | G3/4 | '4-21 | 50  |     |
|   | 140 | 140 | 250 | 115 | 370 | 190 | 28 | 304 | 340 | 390 | 170 | 244 | 194 | G3/4 | '4-21 | 63  |     |
|   | 160 | 160 | 280 | 130 | 400 | 205 | 28 | 330 | 370 | 420 | 200 | 274 | 224 | G3/4 | '4-21 | 75  |     |
|   | 180 | 180 | 335 | 145 | 485 | 265 | 30 | 400 | 450 | 510 | 220 | 280 | 230 | 20   | '4-25 | 124 |     |
|   | 200 | 200 | 350 | 160 | 496 | 275 | 35 | 410 | 450 | 510 | 270 | 326 | 250 | 20   | '4-26 | 136 |     |
|   | 220 | 220 | 380 | 180 | 544 | 292 | 38 | 430 | 490 | 566 | 280 | 374 | 298 | 20   | '4-27 | 165 |     |
| B | 250 | 250 | 420 | 195 | 580 | 300 | 40 | 490 | 530 | 610 | 320 | 322 | 250 | 20   | 4-32  | 173 | 187 |
|   | 280 | 280 | 450 | 215 | 620 | 310 | 40 | 520 | 560 | 630 | 340 | 340 | 270 | 20   | 4-32  | 177 | 191 |
|   | 300 | 300 | 480 | 230 | 635 | 320 | 40 | 550 | 590 | 660 | 360 | 370 | 298 | 20   | 4-32  | 205 | 223 |
|   | 320 | 320 | 500 | 250 | 690 | 350 | 50 | 580 | 630 | 700 | 380 | 390 | 320 | 20   | 4-32  | 235 | 255 |
|   | 350 | 350 | 530 | 270 | 780 | 400 | 50 | 650 | 700 | 780 | 420 | 418 | 334 | 20   | 4-38  | 310 | 360 |
|   | 380 | 380 | 560 | 290 | 790 | 420 | 55 | 710 | 760 | 840 | 430 | 460 | 380 | 25   | 4-38  | 401 | 474 |
|   | 400 | 400 | 590 | 300 | 810 | 440 | 55 | 730 | 780 | 860 | 450 | 490 | 400 | 25   | 4-38  | 450 | 530 |
|   | 420 | 420 | 620 | 320 | 900 | 460 | 65 | 770 | 820 | 920 | 460 | 500 | 400 | 25   | 4-44  | 558 | 680 |



|             |             |      |      |      |      |     |      |      |      |      |      |     |     |      |      |                  |                  |
|-------------|-------------|------|------|------|------|-----|------|------|------|------|------|-----|-----|------|------|------------------|------------------|
| C           | 4<br>5<br>0 | 450  | 660  | 340  | 930  | 480 | 65   | 810  | 840  | 940  | 480  | 528 | 424 | 32   | 4-44 | 9<br>6<br>2      | 1<br>0<br>9<br>0 |
|             | 4<br>8<br>0 | 480  | 680  | 360  | 960  | 500 | 65   | 820  | 870  | 970  | 500  | 545 | 445 | 32   | 4-50 | 1<br>0<br>6<br>0 | 1<br>1<br>0<br>0 |
|             | 5<br>0<br>0 | 500  | 710  | 380  | 1060 | 570 | 70   | 900  | 1000 | 1120 | 520  | 600 | 480 | 32   | 4-50 | 1<br>1<br>0<br>0 | 1<br>2<br>0<br>0 |
|             | 5<br>3<br>0 | 530  | 730  | 410  | 1090 | 580 | 70   | 920  | 1020 | 1140 | 550  | 620 | 500 | 32   | 4-50 | 1<br>1<br>7<br>4 | 1<br>3<br>2<br>0 |
|             | 5<br>6<br>0 | 560  | 780  | 430  | 1140 | 620 | 75   | 970  | 1080 | 1200 | 600  | 674 | 554 | 32   | 4-50 | 1<br>3<br>5<br>0 | 1<br>5<br>9<br>0 |
|             | 6<br>0<br>0 | 600  | 820  | 460  | 1180 | 650 | 75   | 1000 | 1130 | 1260 | 640  | 700 | 580 | 32   | 4-50 |                  |                  |
|             | 6<br>3<br>0 | 630  | 860  | 480  | 1220 | 670 | 80   | 1060 | 1170 | 1300 | 670  | 720 | 600 | 32   | 4-50 |                  |                  |
|             | 6<br>7<br>0 | 670  | 920  | 510  | 1260 | 690 | 85   | 1150 | 1250 | 1370 | 710  | 750 | 630 | 32   | 6-50 | 2<br>0<br>0<br>0 |                  |
|             | 7<br>1<br>0 | 710  | 960  | 540  | 1330 | 710 | 85   | 1200 | 1340 | 1470 | 900  | 800 | 670 | 32   | 6-50 |                  |                  |
|             | 7<br>5<br>0 | 750  | 1050 | 570  | 1400 | 750 | 90   | 1260 | 1420 | 1580 | 1000 | 850 | 710 | 32   | 6-50 |                  |                  |
| 8<br>0<br>0 | 800         | 1100 | 610  | 1480 | 800  | 90  | 1300 | 1460 | 1620 | 1100 | 920  | 760 | 32  | 6-50 |      |                  |                  |