

# Jinbo Marine

Marine & Offshore Equipment Datasheet

PRODUCT DATASHEET

GLOBE VALVE

## GB WCB Globe Valve

Standard: Design Standard : GB/T 12235 Flange End : JB/T 79 (or JIS, ANSI, BS,DIN) Test and Inspection : JB/T 9002 Marking : GB/T 12220 Supply Standard : JB/T 7928 Face to Face : GB/T 12221 Specification: ...

- ISO9001 Supplier
- Class Certificate
- Export Supply



### Key Highlights

Category	Globe Valve
Standard	JIS
Material	WCB
Weight / Size	Size:
Certificate	Mill certificate

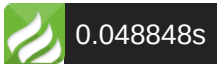
We can supply according to your requirement, drawings, class certificate needs, and delivery schedule.

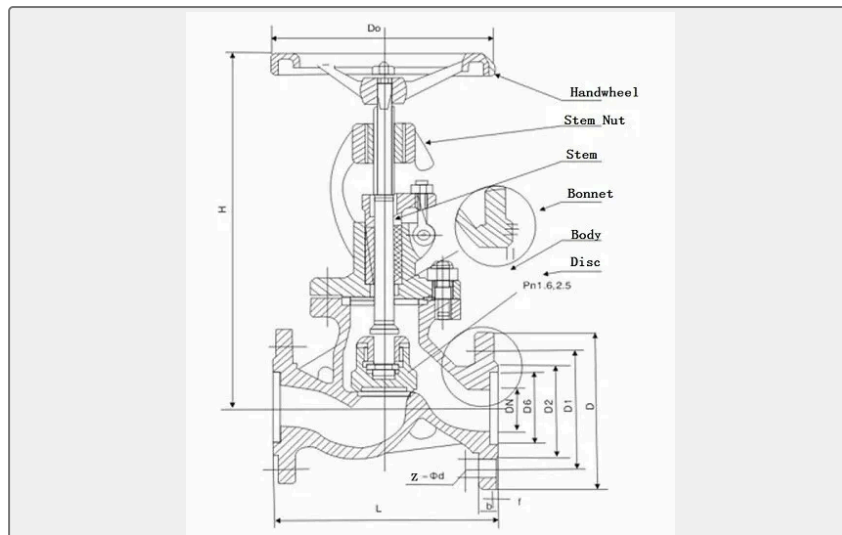
### Technical Specifications

Category	Globe Valve	Model / SKU	GB-WCB-Globe-Valve
Standard	JIS	Material	WCB
Weight / Size	Size:	Certificate	Mill certificate
Warranty	12 Months unless specified otherwise	Origin	China

**CONTENTS**

- Standard:
- Main Part Material:
- Specification:





## Standard:

Design Standard : GB/T 12235  
 Flange End : JB/T 79 (or JIS, ANSI, BS, DIN)  
 Test and Inspection : JB/T 9002  
 Marking : GB/T 12220  
 Supply Standard : JB/T 7928  
 Face to Face : GB/T 12221

## Specification:

Size: DN10~DN300  
 Pressure: 0.6~16Mpa  
 Working Temperature: -29 ~ 550°C

Nominal Pressure	1.6	2.5	4	6.4	10	16
Strength Test	2.4	3.8	6	9.6	15	24
Water Sealing Test	1.8	2.8	4.4	7.4	11	18
Seat Sealing Test	1.8	2.8	4.4	7.4	11	18
Air Sealing Test	0.4~0.7					

## Main Part Material:

Part Name	Part Material			
Body/Bonnet	WCB	ZGCr5Mo	ZG1Cr18Ni9Ti	ZG1Cr18Ni12Mo2Ti
Disc	WCB	25Cr2MoV	1Cr18Ni9Ti	1Cr18Ni12Mo2Ti
Stem	2Cr13	25Cr2MoV	1Cr18Ni9Ti	1Cr18Ni12Mo2Ti
Packing	Flexible Graphite		PTFE	
Gasket	18-8Flexible Graphite			
Bolt	35/35CrMo	25Cr2MoV	1Cr18Ni9Ti	1Cr18Ni9

Suitable Temp	-29~425°C	-29~425°C	-40~200°C	-40~200°C
Suitable Medium	Water , Oil , Steam	Steam , Oil	Nitric Acid	Acetic Acid