

## MARINE ENGINE TELEGRAPH SYSTEM

## GCJB-05/24 24-Point Alarm Indicator Board

ISO9001 Supplier

Class Certificate

Export Supply

GCJB-05/24 24-point alarm indicator board 24 way alarm display using microprocessor MCU control technology design, product panel for PVC veneer technology, with small structure, easy installation, beautiful, reliab...



### Key Highlights

Category	Marine Engine Telegraph System
Standard	EN
Certificate	ABS, LR, BV, DNVGL, NK, KR, IRS, RMRS, CCS

We can supply according to your requirement, drawings, class certificate needs, and delivery schedule.

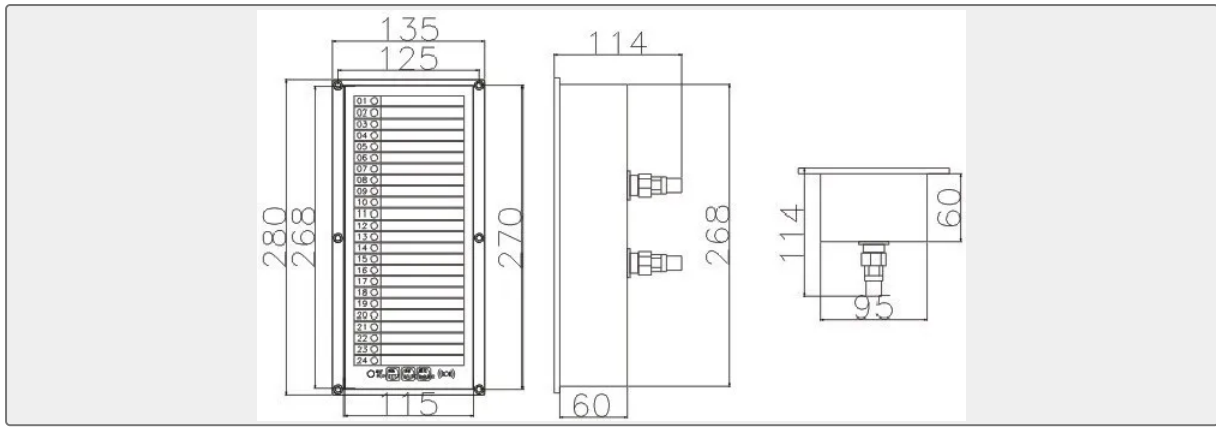
### Technical Specifications

Category	Marine Engine Telegraph System	Model / SKU	GCJB-05-24-24-Point-Alarm-Indicator-Board
Standard	EN	Certificate	ABS, LR, BV, DNVGL, NK, KR, IRS, RMRS, CCS
Warranty	12 Months unless specified otherwise	Origin	China

### GCJB-05/24 24-point alarm indicator board

24 way alarm display using microprocessor MCU control technology design, product panel for PVC veneer technology, with small structure, easy installation, beautiful, reliable performance and other advantages. It is mainly used for the alarm display of the security system. When the alarm signal arrives, the flashing buzzer of the alarm indicator makes a sound. When the noise is suppressed, the sound disappears and the indicator light becomes flat. If the alarm signal automatically disappears before the muffler, the signal is automatically maintained, and the light signal disappears when the muffler is pressed.





#### Function:

1. Mainly used for alarm display. When the alarm signal arrives, the alarm indicator flashing buzzer sounds when the alarm signal arrives.

After the silence is pressed, the sound disappears and the indicator light flattens. If the alarm signal disappears automatically before the silence is silenced, the signal is automatically maintained, and the light signal disappears when the silence is pressed.

2. Dimming

3. Test

#### Technical Parameters

1. Working voltage: DC24V( $\pm 20\%$ -30%)1A;

2. Communication method: RS485 serial communication 2. Working environment:  $-10^{\circ}\text{C}$ ~ $+55^{\circ}\text{C}$ ;

4. Relative humidity:  $\leq \text{RH}95\%$ ( $+40^{\circ}\text{C}$ );

5. Electromagnetic compatibility: The equipment has strict anti-interference measures to meet the requirements of relevant regulations;

6. The equipment has anti-vibration and anti-moisture, anti-salt and anti-mold measures;

7. Alarm output type: passive contact;

8. Maximum contact capacity: DC36V/1A; 9. Protection level: IP22