

Jinbo Marine

Marine & Offshore Equipment Datasheet


PRODUCT DATASHEET

MARINE HOIST

GCT Series Plain Trolleys

GCT Series Plain Trolleys Model Capaity(ton) Proof load (ton) Minimun revoing radus(mm) Dime...

- ISO9001 Supplier
- Class Certificate
- Export Supply



Key Highlights

Category	Marine Hoist
Standard	EN
Weight / Size	GCT Series Plain Trolleys Model Capaity(ton) Proof load (ton) Minimun re...
Certificate	ABS, LR, BV, DNVGL, NK, KR, IRS, RMRS, CCS

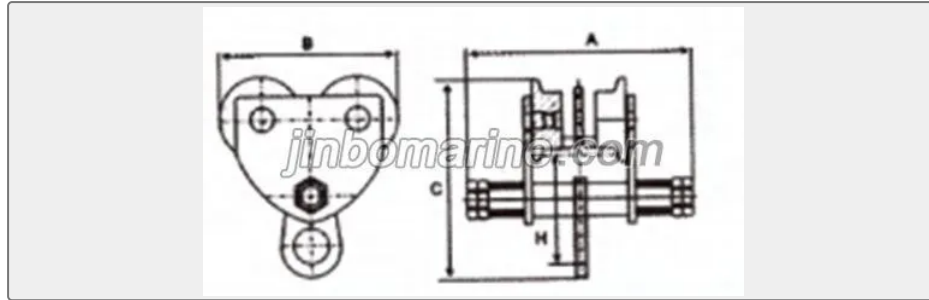
We can supply according to your requirement, drawings, class certificate needs, and delivery schedule.

Technical Specifications			
Category	Marine Hoist	Model / SKU	GCT-Series-Plain-Trolleys
Standard	EN	Weight / Size	GCT Series Plain Trolleys Model Capaity(ton) Proof load (ton) Minimun revoing radus(mm) Dimensions(mm) Fits Beam(mm) N.W.(kg) A B C H F GCT-0.5 0.5 0.825 0.9 208 180 190 108 ≈3 35-100 5 GCT-1 1 1.25 1 242 210 211 115 ≈3 40-125 9 GCT-2 2 2.25 1.1 280 240 236 130 ≈3 55-135 12 GCT-3 3 3.25 1.3 300 280 295 164 ≈3 55-155 18 GCT-5 5 5.25 1.4 316 320 334 177 ≈3 70-165 31
Certificate	ABS, LR, BV, DNVGL, NK, KR, IRS, RMRS, CCS	Warranty	12 Months unless specified otherwise
Origin	China		



China GCT Series Plain Trolleys:

GCT Series Plain Trolleys



Model	Capacity(ton)	Proof load (ton)	Minimun revoing radus(mm)	Dimensions(mm)					Fits Beam(mm)	N.W.(kg)
				A	B	C	H	F		
GCT-0.5	0.5	0.825	0.9	2088	1100	1100	1108	≈3	35-100	5
GCT-1	1	1.25	1	2422	2100	2101	1115	≈3	40-125	9
GCT-2	2	2.25	1.1	2800	2400	2406	1330	≈3	55-135	12
GCT-3	3	3.25	1.3	3000	2800	2805	1164	≈3	55-155	18
GCT-5	5	5.25	1.4	3160	3200	3204	1377	≈3	70-165	31