

Jinbo Marine

Marine & Offshore Equipment Datasheet

PRODUCT DATASHEET

WATER INGRESS DETECTION SYSTEM

GDY-Ex Explosion-Proof Photoelectric Level Switch

ISO9001 Supplier

Class Certificate

Export Supply

GDY-Ex Explosion-Proof Photoelectric Level Switch 1)Chapter 1, 2, and 3 of Part 4 of the "Code for Classification of Steel Sea-going Ships" of the China Classification Society: 2) Chapter 2 of Part 7 of the "Code ...



Key Highlights

Category	Water Ingress Detection System
Standard	EN
Material	GDY-Ex Explosion-Proof Photoelectric Level Switch 1)Chapter 1, 2, and 3 ...
Certificate	ABS, LR, BV, DNVGL, NK, KR, IRS, RMRS, CCS

We can supply according to your requirement, drawings, class certificate needs, and delivery schedule.

Technical Specifications

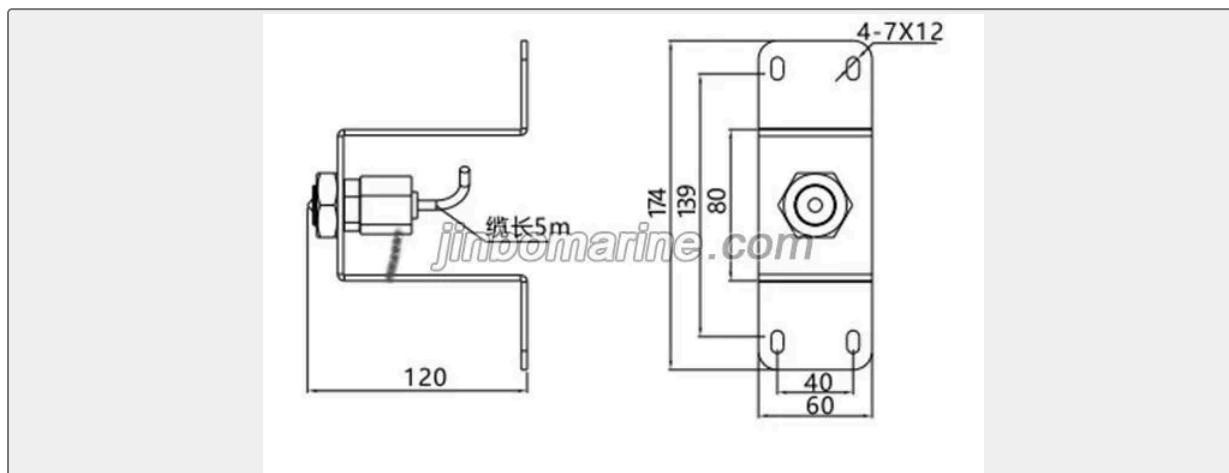
Category	Water Ingress Detection System	Model / SKU	GDY-Ex-Explosion-Proof-Photoelectric-Level-Switch
Standard	EN	Material	GDY-Ex Explosion-Proof Photoelectric Level Switch 1)Chapter 1, 2, and 3 of Part 4 of the "Code for Classification of Steel Sea-going Ships" of the China Classification Society:
Certificate	ABS, LR, BV, DNVGL, NK, KR, IRS, RMRS, CCS	Warranty	12 Months unless specified otherwise
Origin	China		

China GDY-Ex Explosion-Proof Photoelectric Level Switch:

GDY-Ex Explosion-Proof Photoelectric Level Switch



- 1)Chapter 1, 2, and 3 of Part 4 of the"Code for Classification of Steel Sea-going Ships" of the China Classification Society:
- 2) Chapter 2 of Part 7 of the "Code for Classification of Steel Sea-going Ships" of the China Classification Society.
- 3)MSC.188(79) Performance Standard for Water Level Detectors on Bulk Carriers and Single Hold Cargo Ships Than Bulk Carriers.
- 4)IMO Resolution A.1021(26) Code on Alerts and Indicators, 2009



Power supply: DC12V

Electricity: $\leq 20\text{mA}$

Respose frequency: 25Hz

Ex rating:Exia IICT6 Ga

IP rating: IP68