

Jinbo Marine

Marine & Offshore Equipment Datasheet

PRODUCT DATASHEET

FIRE EXTINGUISHER DRY POWDER FILLING MACHINE

GFM16-1A Fire Extinguisher Dry Powder Filling Machine

Powder refilling equipment,ABC powder filling machine,BC dry powder filling machine

ISO9001 Supplier

Class Certificate

Export Supply



Key Highlights

Category	Fire Extinguisher Dry Powder Filling Machine
Standard	DIN
Weight / Size	Overall size:400X800X1350mm(W×L×H) Weight:
Certificate	ABS, LR, BV, DNVGL, NK, KR, IRS, RMRS, CCS

We can supply according to your requirement, drawings, class certificate needs, and delivery schedule.

Technical Specifications

Category	Fire Extinguisher Dry Powder Filling Machine	Model / SKU	GFM16-1A-Fire-Extinguisher-Dry-Powder-Filling-Machine
Standard	DIN	Weight / Size	Overall size:400X800X1350mm(W×L×H) Weight:
Certificate	ABS, LR, BV, DNVGL, NK, KR, IRS, RMRS, CCS	Warranty	12 Months unless specified otherwise
Origin	China		

CONTENTS

- China GFM16-1A Fire Extinguisher Dry Powder Filling Machine:
- Structure:
- Specifications:
- Our advantages:



China GFM16-1A Fire Extinguisher Dry Powder Filling Machine:

GFM16-1A fire extinguisher **dry powder filling machine** is developed by our factory after absorbing the advantages of powder fillers at home and abroad. It can quickly suck dry powder into the cylinder and be directly filled in the container by vacuum fluidics, and it can also conduct sucking and filling simultaneously.

It features small volume, easy movement, simple operation and lack of environmental pollution. Thus labor intensity is decreased and work environment is improved. It is especially suitable for the filling, production and maintenance of dry powder extinguisher and also suitable for filling various powder products. So it is an ideal equipment in the powder filling industry.

Specifications:

Overall size: 400X800X1350mm(W×L×H)

Weight: 90 kg

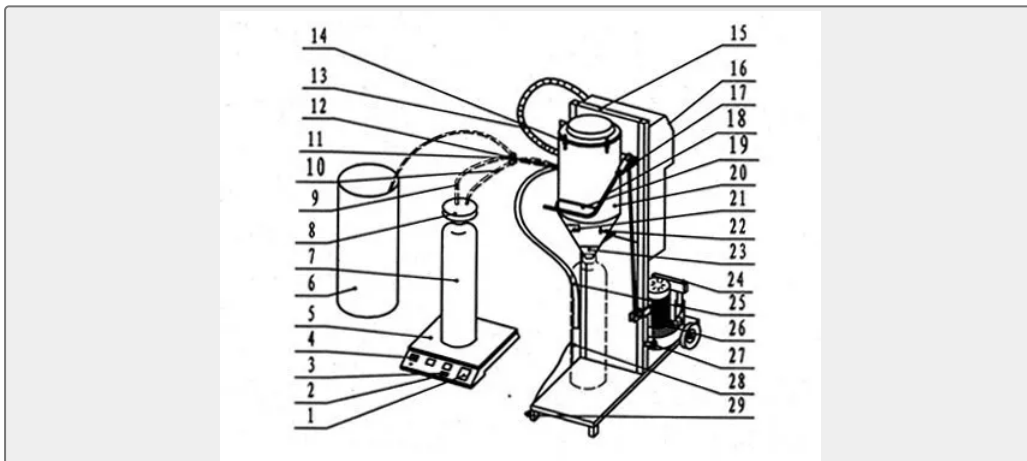
Voltage: 380V or 220V 50Hz

Power: 1.1KW

Filling speed: 4kg/min

Filling residue: $1 \text{ kg} \leq 0.04$

Structure:



1. Digital operating panel on the weighing bridge
2. 【Shelling】 key
3. 【Reset】 key
4. Weight screen
5. Electronic weighting bridge
6. Powder suction pipe I
7. Cylinder of extinguisher to be filled
8. Filling end cover
9. Window of powder cylinder
10. Powder suction pipe II
11. Air suction pipe
12. Powder source
13. Powder suction port
14. Pipe support
15. Cylinder block
16. Main air pipe
17. Elevating gear
18. Electrical box
19. Powder cylinder
20. Adjustable bolt
21. Valve of powder cylinder
22. Rubber sleeve
23. Elevating handle
24. Descending stopping handgrip
25. Direction valve
26. Base
27. Fanning machine
28. Adjusting Pin
29. Reversal pedal

Our advantages:

Fast delivery,excellent quality,good after service.

