

FIRE EXTINGUISHER DRY POWDER FILLING MACHINE

GFM16-1B Fire Extinguisher Dry Powder Filler

ISO9001 Supplier

Class Certificate

Export Supply

GFM16-1B fire extinguisher dry powder filler is a new product developed by our factory after absorbing the advantages of powder fillers at home and abroad. It can quickly suck dry powder into the cylinder and be directly...



Key Highlights

Category	Fire Extinguisher Dry Powder Filling Machine
Standard	DIN
Weight / Size	Overall size:800X400X1350mm (W×L×H) Weight:90Kg Volage:AC 220V Power:1.1...
Certificate	ABS, LR, BV, DNVGL, NK, KR, IRS, RMRS, CCS

We can supply according to your requirement, drawings, class certificate needs, and delivery schedule.

Technical Specifications

Category	Fire Extinguisher Dry Powder Filling Machine	Model / SKU	GFM16-1B-Fire-Extinguisher-Dry-Powder-Filler
Standard	DIN	Weight / Size	Overall size:800X400X1350mm (W×L×H) Weight:90Kg Volage:AC 220V Power:1.1KW Filling speed:
Certificate	ABS, LR, BV, DNVGL, NK, KR, IRS, RMRS, CCS	Warranty	12 Months unless specified otherwise
Origin	China		

CONTENTS

- China GFM16-1B Fire Extinguisher Dry Powder Filler:
- Schematic Diagram of GFM16-1B fire extinguisher dry powder filler:
- Our advantages:
- Specifications:
- Schematic Diagram of Operating Panel for Electric Devices:

China GFM16-1B Fire Extinguisher Dry Powder Filler:

GFM16-1B fire extinguisher **dry powder filler** is a new product developed by our factory after absorbing the advantages of powder fillers at home and abroad. It can quickly suck dry powder into the cylinder and be directly filled in the cylinder of the extinguisher to be filled by vacuum fluidics; the dry powder can also be directly sucked into the cylinder of the extinguisher to be filled through the filling and cover. It can directly recover the dry powder in the cylinder of the old extinguisher. The equipment has the functions of lifting and dropping the cylinder electrically by just treading on the rise

or fall pedal.

It features small volume, easy movement, simple operation and lack of environmental pollution. Thus labor intensity is decreased and work environment is improved. It can fill various models of extinguisher cylinder and also suitable for filling various powder products. So it is an ideal equipment in the powder filling industry.

Specifications:

Overall size:800X400X1350mm (W×L×H)

Weight:90Kg

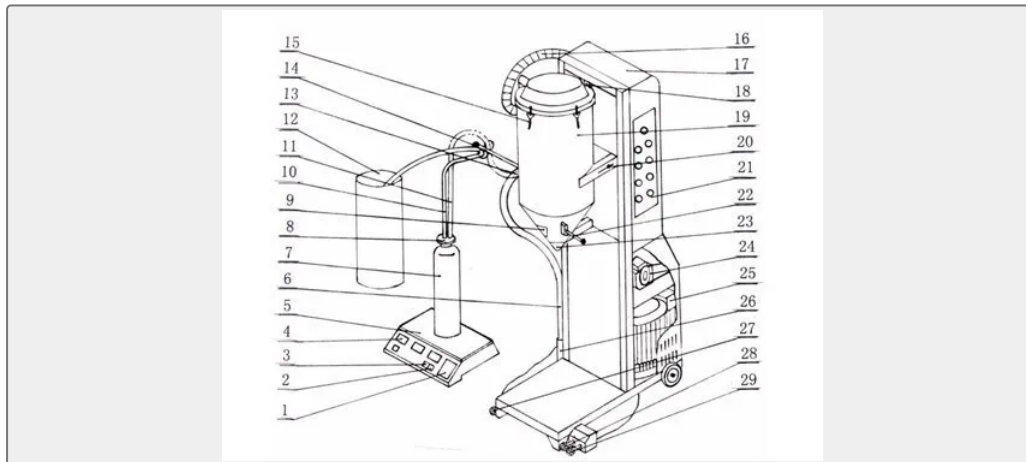
Volage:AC 220V

Power:1.1KW

Filling speed: 5kg/min

Filling residue:1 kg≤ 0.04

Schematic Diagram of GFM16-1B fire extinguisher dry powder filler:



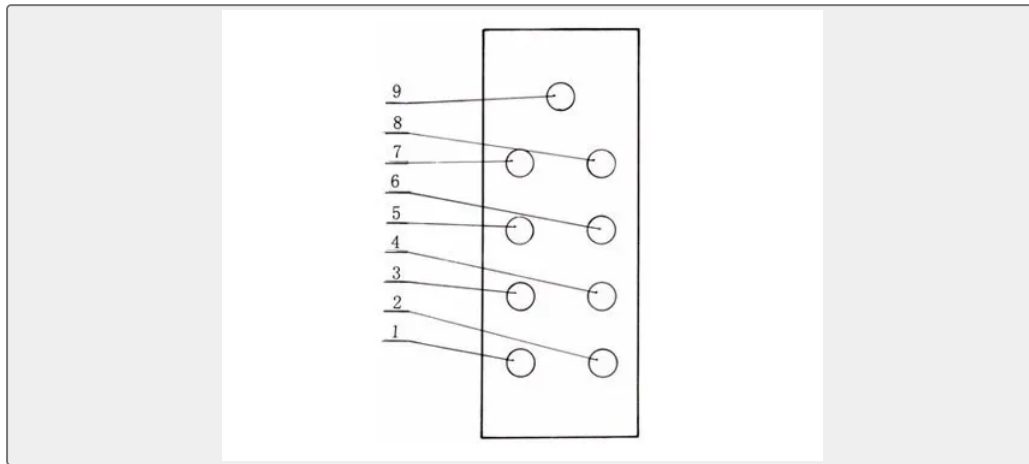
1. Digital operating panel on the weighing bridge
2. 【Shelling】 key
3. 【Reset】 key
4. Weight screen
5. Electronic weighing bridge
6. Powder suction pipe I
7. Cylinder of extinguisher to be filled
8. Filling end cover
9. Window of powder cylinder
10. Powder suction pipe II
11. Air suction pipe
12. Powder source
13. Powder suction port
14. Pipe support
15. Cylinder block
16. Main air pipe
17. Electrical box
18. Elevating gear
19. Powder cylinder
20. Adjustable bolt
21. Operating panel of electric appliances

22. Valve of powder cylinder 23. Valve of powder cylinder 24. Rubber sleeve

25. Direction valve 26. Base 27. Pedal of direction valve 28. Ascending pedal

29. Descending pedal

Schematic Diagram of Operating Panel for Electric Devices:



1. Fall button 2. Fall indicator 3. Rise button 4. Rise indicator

5. Stop button 6. Stop indicator light 7. Start button 8. Start indicator light

9. Power indicator light

Our advantages:

Fast delivery,excellent quality,good after service.