

Jinbo Marine

Marine & Offshore Equipment Datasheet

PRODUCT DATASHEET

FIRE EXTINGUISHER DRY POWDER FILLING MACHINE

GFM8-2 Automatic Powder Filling Machine

ISO9001 Supplier

Class Certificate

Export Supply

GFM8-2 automatic powder filling machine is a new product developed and designed by our factory in combination with the characteristic of actual filling with reference to the advantages of its counterparts at home ...



Key Highlights

Category	Fire Extinguisher Dry Powder Filling Machine
Standard	EN
Weight / Size	It is equipped with T3806 weight display of high precision and SP-T prin...
Certificate	ABS, LR, BV, DNVGL, NK, KR, IRS, RMRS, CCS

We can supply according to your requirement, drawings, class certificate needs, and delivery schedule.

Technical Specifications

Category	Fire Extinguisher Dry Powder Filling Machine	Model / SKU	GFM8-2-Automatic-Powder-Filling-Machine
Standard	EN	Weight / Size	It is equipped with T3806 weight display of high precision and SP-T printer.
Certificate	ABS, LR, BV, DNVGL, NK, KR, IRS, RMRS, CCS	Warranty	12 Months unless specified otherwise
Origin	China		

CONTENTS

- China GFM8-2 Automatic Powder Filling Machine:
- Schematic Diagram of GFM8-2 Automatic Powder Filling Machine:
- Main Technical Parameters

China GFM8-2 Automatic Powder Filling Machine:

GFM8-2 automatic powder filling machine is a new product developed and designed by our factory in combination with the

characteristic of actual filling with reference to the advantages of its counterparts at home and abroad. Powder is rapidly absorbed into the cylinder to be filled by vacuum jet current. It is equipped with T3806 weight display of high precision and SP-T printer. The filling is automatic and quantitative. The residual dust on the filter is cleared by use of the negative pressure produced by vacuum. As it integrates electronics, electrical device and machinery into one entity, labor intensity is lowered and work environment improved.

It is characterized by small volume, light weight, lower energy consumption, easy movement, simple operation and longer service life. So it is specially suitable for powder filling of fire extinguisher and also ideal for other powder filling sector.

Main Technical Parameters

Volume: Length×Width×Height (1130mm×520mm×1350mm)

Weight:200kg

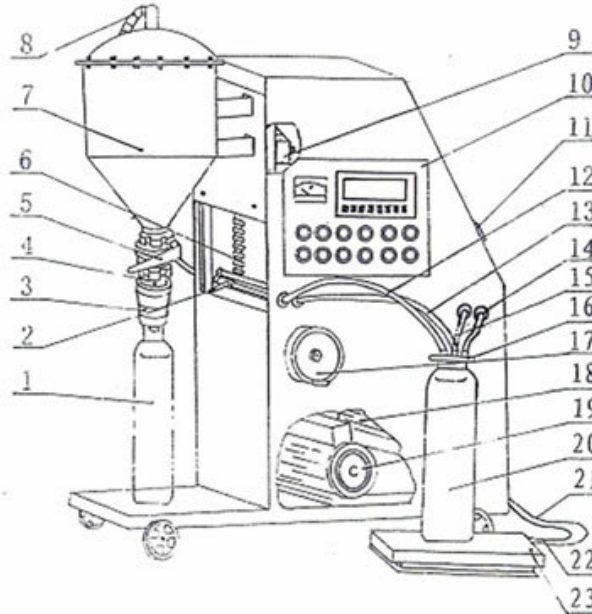
Voltage: AC 380v/220v 50Hz AC220V 50Hz

Power: 0.55KW 1.5Kw

Filling precision:1kg≤+0.15

Filling speed: 6-12kg/min

Schematic Diagram of GFM8-2 Automatic Powder Filling Machine:



1. Residual powder cylinder 2. Manual snift valve 3. Powder discharge outlet 4. Visual window 5. Filter assembly valve 6. Elevating screw 7. Filter assembly 8. Air main 9. Time relay 10. Control panel for electric devices 11. Power switch (leakage protector) 12. Suction pipe 13. Powder suction pipe (Be applicable for the filling of 4 kg and below) 14. Admitting pipe 15. Power suction pipe (Be applicable for the filling of above 5 kg) 16. End cap for filling 17. Elevating hand-wheel 18. Motor 19. Vacuum pump 20. Cylinder to be filled 21. Sensor wire 22. Ground wire for scale bench 23. Electronic scale bench

Our advantages:

Fast delivery,excellent quality,good after service.