

# Jinbo Marine

Marine & Offshore Equipment Datasheet

PRODUCT DATASHEET

## COMBUSTIBLE GAS ALARM SYSTEM

# GN8080F Portable Combustible Gas

GN8080F Portable Combustible Gas 1)Chapters 1 and 2, Part Four of China Classification Society Rules for Classification of Sea-going Steel Ships 2)Chapter 3, Part Six of China Classification Society Rules for Clas...

- ISO9001 Supplier
- Class Certificate
- Export Supply

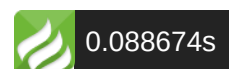


*jinbomarine.com*

### Key Highlights

|                    |   |
|--------------------|---|
| <b>Category</b>    | Combustible Gas Alarm System  |
| <b>Standard</b>    | GB  |
| <b>Material</b>    | GN8080F Portable Combustible Gas 1)Chapters 1 and 2, Part Four of China ... |
| <b>Certificate</b> | ABS, LR, BV, DNVGL, NK, KR, IRS, RMRS, CCS                                  |

We can supply according to your requirement, drawings, class certificate needs, and delivery schedule.

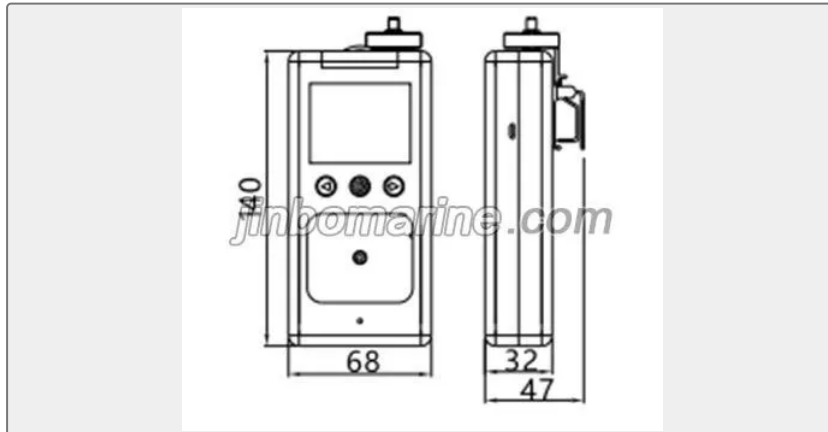


| Technical Specifications |  |             |  |
|--------------------------|--|-------------|--|
| Category                 | Combustible Gas Alarm System               | Model / SKU | GN8080F-Portable-Combustible-Gas   |
| Standard                 | GB   | Material    | GN8080F Portable Combustible Gas 1)Chapters 1 and 2, Part Four of China Classification Society Rules for Classification of Sea-going Steel Ships 2)Chapter 3, Part Six of China Classification Society Rules for Classification of Sea-going Steel Ships 3)Regulations 4, Chapter II-2 of International Convention for the Safety of Life at Sea, 1974, as Amended 4) GB 16808-2008 Combustible Gas Alarm Control Units 5) IEC 60079-29-1:2016+AMD1:2020 Explosive atmospheres -Part 29-1: |
| Certificate              | ABS, LR, BV, DNVGL, NK, KR, IRS, RMRS, CCS | Warranty    | 12 Months unless specified otherwise   |
| Origin                   | China                                      |             |  |

## China GN8080F Portable Combustible Gas:

GN8080F Portable Combustible Gas

- 1)Chapters 1 and 2, Part Four of China Classification Society Rules for Classification of Sea-going Steel Ships
- 2)Chapter 3, Part Six of China Classification Society Rules for Classification of Sea-going Steel Ships
- 3)Regulations 4, Chapter II-2 of International Convention for the Safety of Life at Sea, 1974, as Amended
- 4) GB 16808-2008 Combustible Gas Alarm Control Units
- 5) IEC 60079-29-1:2016+AMD1:2020 Explosive atmospheres -Part 29-1: Gas detectors -Performance requirements of detectors for flammable gases



|                        |  |                        |  |
|------------------------|--|------------------------|--|
| Detect gas             | Flammable gases,<br>carbon monoxide,<br>hydrogen sulfide, oxygen | Liquid crystal display | Real-time display of<br>the current gas<br>concentration and<br>working status |
| Detection principle    | Catalytic combustion<br>type,electrochemical                     | Work method            | Pump suction type  |
| Power supply<br>source | Lithium battery<br>(with charger)                                | Explosion-proof mark   | Ex d ibIIC T4 Gb   |