

Jinbo Marine

Marine & Offshore Equipment Datasheet

PRODUCT DATASHEET

WATER INGRESS DETECTION SYSTEM

GS8552-Ex11 Fire Door Control Panel

GS8552-Ex11 Fire Door Control Panel 1)Chapter 1, 2, and 3 of Part 4 of the"Code for Classification of Steel Sea-going Ships" of the China Classification Society: 2) Chapter 2 of Part 7 of the "Code for Classifica...

ISO9001 Supplier

Class Certificate

Export Supply



Key Highlights

Category	Water Ingress Detection System
Standard	3)MSC.188(79) Performance Standard for Water Level Detectors on Bulk Car...
Material	GS8552-Ex11 Fire Door Control Panel 1)Chapter 1, 2, and 3 of Part 4 of t...
Certificate	ABS, LR, BV, DNVGL, NK, KR, IRS, RMRS, CCS

We can supply according to your requirement, drawings, class certificate needs, and delivery schedule.

Technical Specifications

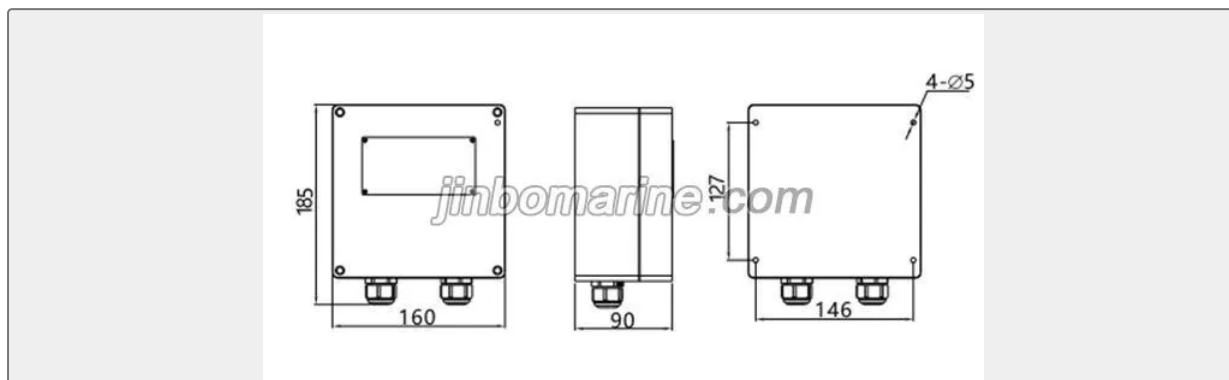
Category	Water Ingress Detection System	Model / SKU	GS8552-Ex11-Fire-Door-Control-Panel
Standard	3)MSC.188(79) Performance Standard for Water Level Detectors on Bulk Carriers and Single Hold Cargo Ships Than Bulk Carriers.	Material	GS8552-Ex11 Fire Door Control Panel 1)Chapter 1, 2, and 3 of Part 4 of the"Code for Classification of Steel Sea-going Ships" of the China Classification Society:
Certificate	ABS, LR, BV, DNVGL, NK, KR, IRS, RMRS, CCS	Warranty	12 Months unless specified otherwise
Origin	China		

China GS8552-Ex11 Fire Door Control Panel:

GS8552-Ex11 Fire Door Control Panel



- 1)Chapter 1, 2, and 3 of Part 4 of the"Code for Classification of Steel Sea-going Ships" of the China Classification Society:
- 2) Chapter 2 of Part 7 of the "Code for Classification of Steel Sea-going Ships" of the China Classification Society.
- 3)MSC.188(79) Performance Standard for Water Level Detectors on Bulk Carriers and Single Hold Cargo Ships Than Bulk Carriers.
- 4)IMO Resolution A.1021(26) Code on Alerts and Indicators, 2009.



Colour: Magnetic White

Shell material: ABS

Cable gland: 2-PG16

IP rating: IP44