

# Jinbo Marine

Marine & Offshore Equipment Datasheet

PRODUCT DATASHEET

## COMBUSTIBLE GAS ALARM SYSTEM

# GTQ-GN8020 Portable Combustible To Xic Gas Detector

ISO9001 Supplier

Class Certificate

Export Supply

GTQ-GN8020 Portable Combustible To Xic Gas Detector 1)Chapters 1 and 2, Part Four of China Classification Society Rules for Classification of Sea-going Steel Ships 2)Chapter 3, Part Six of China Classification Soc...



### Key Highlights

<b>Category</b>	Combustible Gas Alarm System
<b>Standard</b>	DIN
<b>Material</b>	GTQ-GN8020 Portable Combustible To Xic Gas Detector 1)Chapters 1 and 2, ...
<b>Certificate</b>	ABS, LR, BV, DNVGL, NK, KR, IRS, RMRS, CCS

We can supply according to your requirement, drawings, class certificate needs, and delivery schedule.

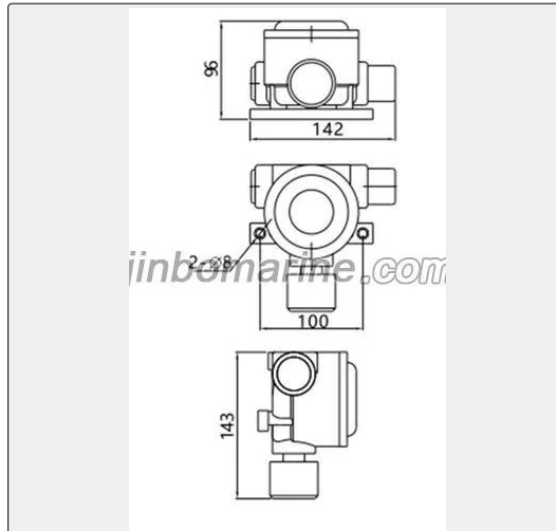


Technical Specifications			
Category	Combustible Gas Alarm System	Model / SKU	GTQ-GN8020-Portable-Combustible-To-Xic-Gas-Detector
Standard	DIN	Material	GTQ-GN8020 Portable Combustible To Xic Gas Detector 1)Chapters 1 and 2, Part Four of China Classification Society Rules for Classification of Sea-going Steel Ships 2)Chapter 3, Part Six of China Classification Society Rules for Classification of Sea-going Steel Ships 3)Regulations 4, Chapter II-2 of International Convention for the Safety of Life at Sea, 1974, as Amended 4) GB 16808-2008 Combustible Gas Alarm Control Units 5) IEC 60079-29-1:2016+AMD1:2020 Explosive atmospheres -Part 29-1:
Certificate	ABS, LR, BV, DNVGL, NK, KR, IRS, RMRS, CCS	Warranty	12 Months unless specified otherwise
Origin	China		

## China GTQ-GN8020 Portable Combustible To Xic Gas Detector:

GTQ-GN8020 Portable Combustible To Xic Gas Detector

- 1)Chapters 1 and 2, Part Four of China Classification Society Rules for Classification of Sea-going Steel Ships
- 2)Chapter 3, Part Six of China Classification Society Rules for Classification of Sea-going Steel Ships
- 3)Regulations 4, Chapter II-2 of International Convention for the Safety of Life at Sea, 1974, as Amended
- 4) GB 16808-2008 Combustible Gas Alarm Control Units
- 5) IEC 60079-29-1:2016+AMD1:2020 Explosive atmospheres -Part 29-1: Gas detectors -Performance requirements of detectors for flammable gases



Detection of gases	HC(Hydrocarbon)	Transfer method	The maximum 4500m (RvvP3*2.5mm <sup>2</sup> Copper core cable)
Detection principle	Catalytic combustion	Operating method	Magnetic pen
Detection range	0~100%LEL	Alarm setting	Two section Alarm (default 20%LEL,Adjustable as range required)
Precision	±3%FS	Shell material	Aluminum alloy/stainless steel
Corresponding time	≤30Seconds	Explosion-proof signs	ExdbIICT6 Gb
Recovery time	≤30Seconds	IP rating	ip66
Power consumption: 2.5w	Operating temperature	-20°C~50°C	
Output signal	4~20m Standard current(3lines)	Relative humidity	0~95%RH(Non-condensation)