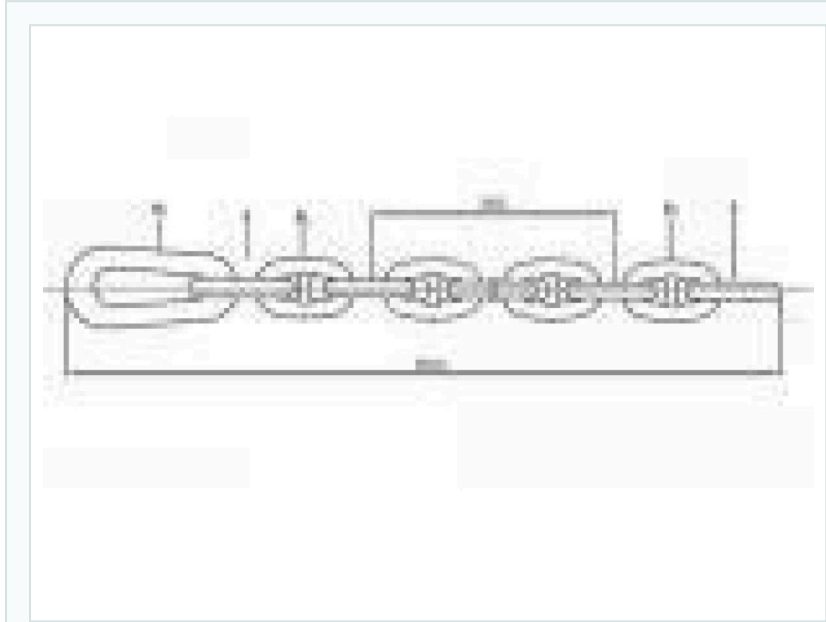


CHAFE CHAIN

Grade 3 76mm Chafe Chain

Chafe Chain 76mm Grade 3 For more details, please feel free to contact us.

- ISO9001 Supplier
- Class Certificate
- Export Supply



Key Highlights

Category	Chafe Chain
Material	Rolled Steel Bars
Certificate	ABS, LR, BV, GL, DNV, CCS

We can supply according to your requirement, drawings, class certificate needs, and delivery schedule.

Technical Specifications

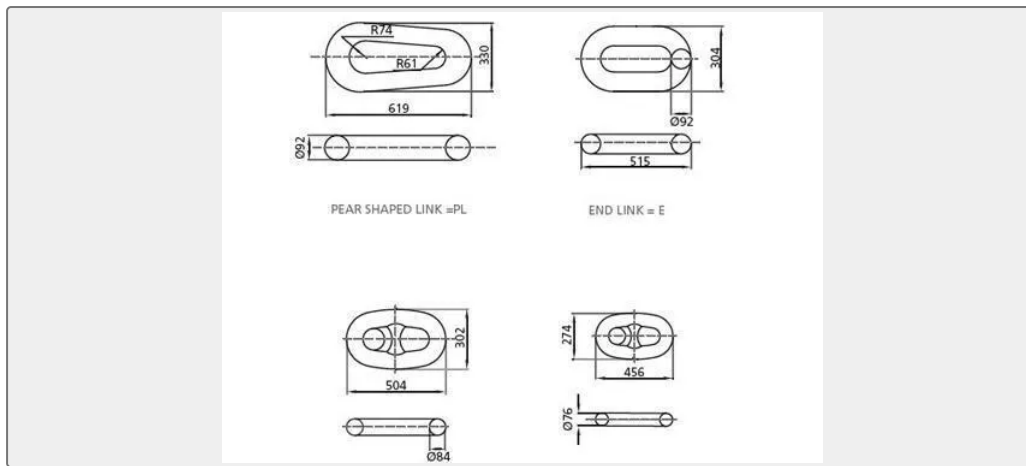
Category	Chafe Chain	Model / SKU	Grade-3-76mm-Chafe-Chain
Material	Rolled Steel Bars	Certificate	ABS, LR, BV, GL, DNV, CCS
Warranty	12 Months unless specified otherwise	Origin	China

China Grade 3 76mm Chafe Chain:

Typical Chain A / B configuration per OCIMF 2007.
Chain manufactured, tested and inspected in accordance with IACS W22.

Type	Size mm	Grade per IACS W22	SWL tonne	MBL tonne
A	76	R4	250	611.7
B	76	R3	200	479.8

The number and size of chains used should be determined by the terminal operator after an analysis of the maximum mooring load. If necessary, weak links or quick release devices should be incorporated into the mooring system.



Chafe Chain 76mm Grade 3

For more details, please feel free to contact us.