

Jinbo Marine

Marine & Offshore Equipment Datasheet

PRODUCT DATASHEET

MARINE DAVIT AND CRANE

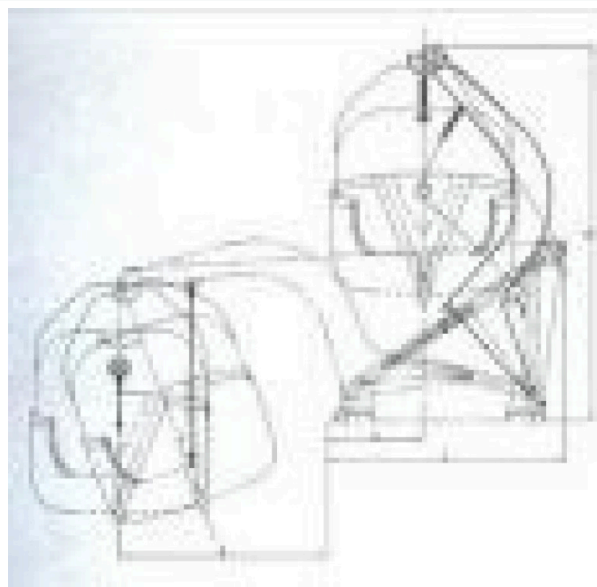
Gravity Rolling Type Davit

Main Specification Type Max. Davit Load Dimension(mm) Winch Load KN A B ...

ISO9001 Supplier

Class Certificate

Export Supply



Key Highlights

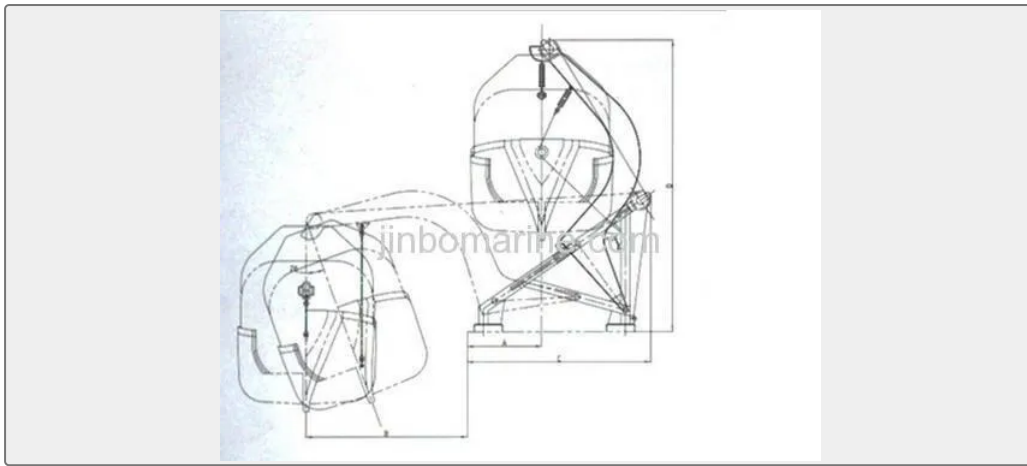
Category	Marine Davit and crane
Standard	EN
Weight / Size	Davit Load Dimension(mm) Winch Load KN A B C D KN RE50 50 1150 2200 2800...
Certificate	ABS,LR, BV, GL,DNV,RINA, NK, KR, RS, IRS, CCS

We can supply according to your requirement, drawings, class certificate needs, and delivery schedule.

Technical Specifications

Category	Marine Davit and crane	Model / SKU	Gravity-Rolling-Type-Davit
Standard	EN	Weight / Size	Davit Load Dimension(mm) Winch Load KN A B C D KN RE50 50 1150 2200 2800 4600 48 RE50 60 1250 2400 3000 4950 63 RE80 80 1525 2540 3500 5250 63 RE100 105 1620 2890 4110 6170 80
Certificate	ABS,LR, BV, GL,DNV,RINA, NK, KR, RS, IRS, CCS	Warranty	12 Months unless specified otherwise
Origin	China		





Main Specification

Type	Max. Davit Load	Dimension(mm)				Winch Load
	KN	A	B	C	D	KN
RE50	50	1150	2200	2800	4600	48
RE50	60	1250	2400	3000	4950	63
RE80	80	1525	2540	3500	5250	63
RE100	105	1620	2890	4110	6170	80