

MARINE WINDLASS

Gypsy Wheel for 22mm chain

Gypsy Wheel for 22mm chain Sketch and drawing Shipping & Packing 1.Shipping by sea or air,or as your request. 2.Standard Export Packing. What We Do? We sup...

- ISO9001 Supplier
- Class Certificate
- Export Supply



Key Highlights

| | |
|--------------------|--|
| Category | Marine Windlass |
| Standard | DIN |
| Certificate | ABS, LR, BV, DNVGL, NK, KR, IRS, RMRS, CCS |

We can supply according to your requirement, drawings, class certificate needs, and delivery schedule.

Technical Specifications

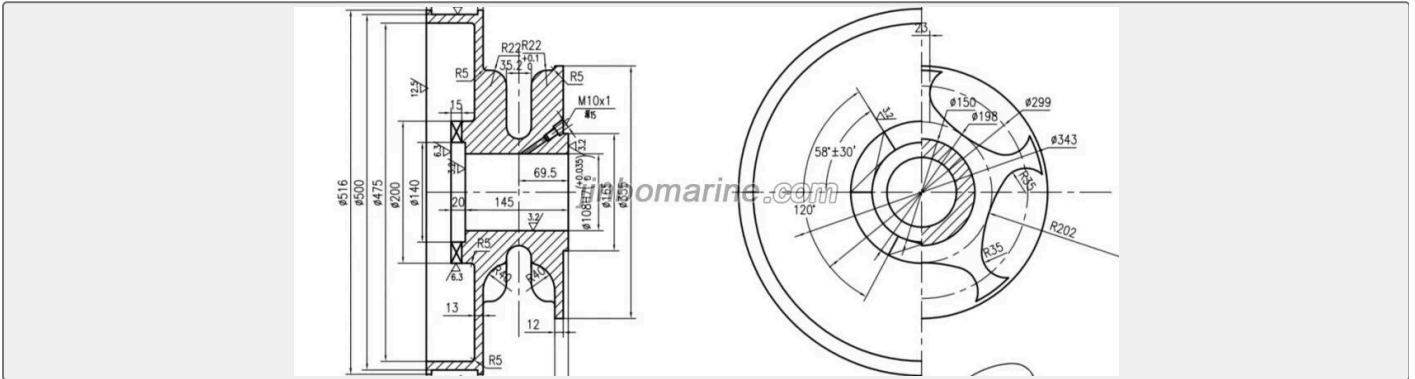
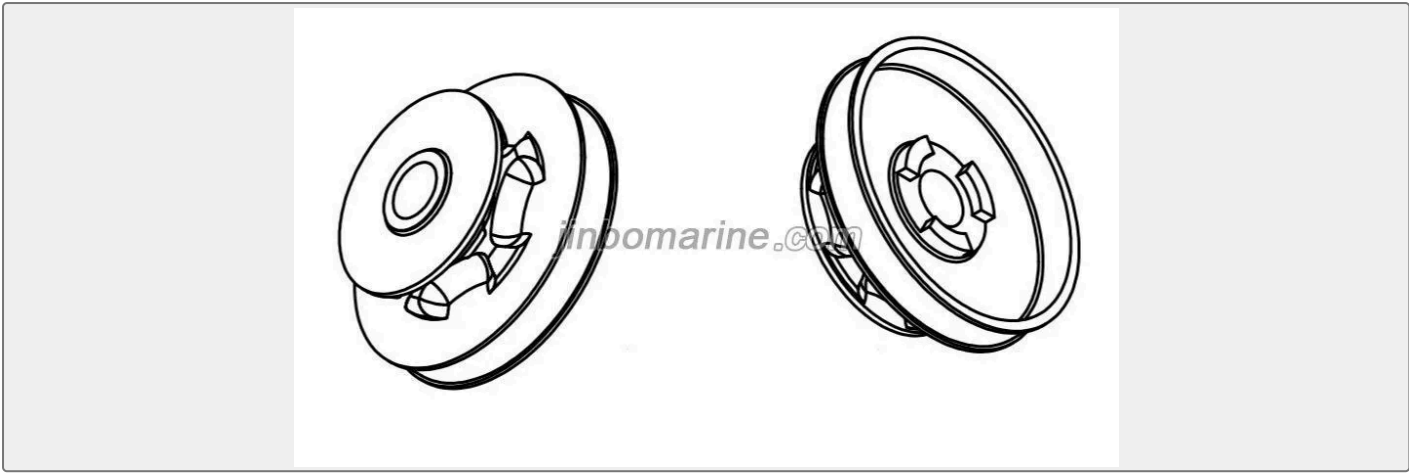
| | | | |
|-----------------|--------------------------------------|--------------------|--|
| Category | Marine Windlass | Model / SKU | Gypsy-Wheel-for-22mm-chain |
| Standard | DIN | Certificate | ABS, LR, BV, DNVGL, NK, KR, IRS, RMRS, CCS |
| Warranty | 12 Months unless specified otherwise | Origin | China |

CONTENTS

- China Gypsy Wheel for 22mm chain:
- Shipping & Packing
- What We Do?

China Gypsy Wheel for 22mm chain:

Gypsy Wheel for 22mm chain Sketch and drawing



Shipping & Packing

1. Shipping by sea or air, or as your request.
2. Standard Export Packing.

What We Do?

We supply all kinds of marine and offshore equipment and fittings for various vessels including VLCC, FSO, FPSO, LNGC, LPGC, Container Ships, Cargo Liners, Bulk Carriers, Oil Tankers and oil platform, from securing the order to final delivery, we work hard to make sure everything goes as required and with high standard quality.