

# Jinbo Marine

Marine &amp; Offshore Equipment Datasheet

PRODUCT DATASHEET

## MARINE AUTOMATIC TELEPHONE SYSTEM

## HAG-1 Wall Mounted Auto-Telephone

HAG-1 Wall Mounted Auto-Telephone 1)Chapter 1 of Part 4 of the " Steel Ship Classification Rules" of the China Classification Society; 2)YD/T729-94 method for automatic exchanger network access; 3)GF002-9002.4 te...

ISO9001 Supplier

Class Certificate

Export Supply



### Key Highlights

Category	Marine Automatic Telephone System
Standard	EN
Material	HAG-1 Wall Mounted Auto-Telephone 1)Chapter 1 of Part 4 of the " Steel S...
Certificate	ABS, LR, BV, DNVGL, NK, KR, IRS, RMRS, CCS

We can supply according to your requirement, drawings, class certificate needs, and delivery schedule.

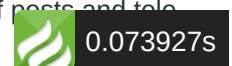
### Technical Specifications

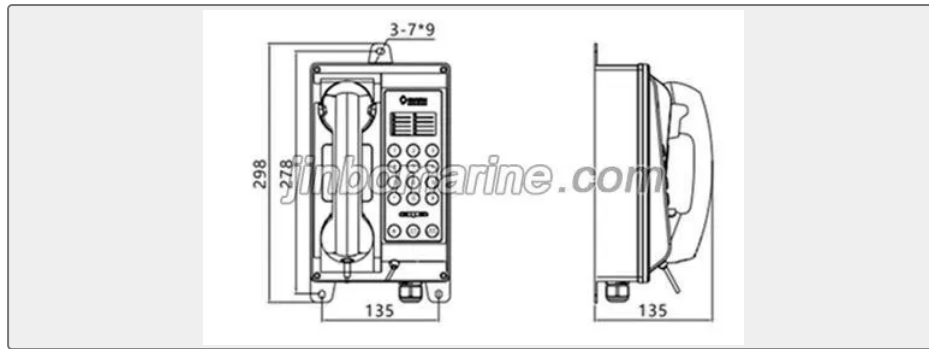
Category	Marine Automatic Telephone System	Model / SKU	HAG-1-Wall-Mounted-Auto-Telephone
Standard	EN	Material	HAG-1 Wall Mounted Auto-Telephone 1)Chapter 1 of Part 4 of the " Steel Ship Classification Rules" of the China Classification Society;
Certificate	ABS, LR, BV, DNVGL, NK, KR, IRS, RMRS, CCS	Warranty	12 Months unless specified otherwise
Origin	China		

### China HAG-1 Wall Mounted Auto-Telephone:

HAG-1 Wall Mounted Auto-Telephone

- 1)Chapter 1 of Part 4 of the " Steel Ship Classification Rules" of the China Classification Society;
- 2)YD/T729-94 method for automatic exchanger network access;
- 3)GF002-9002.4 technique specification for automatic exchanger equipments in technical ministry of posts and telecommunication.





Colour:Dull black

Shell material: ABS

Cable gland: PG25;PG16

Ringing loudness: >75dB

IP rating: IP44