

Jinbo Marine

Marine & Offshore Equipment Datasheet

PRODUCT DATASHEET

NAVIGATION BUOY

HD155-S3 LED Lantern

Voltage DC12V Power 5W Source LED Navigation Range >6.3...

ISO9001 Supplier

Class Certificate

Export Supply



Key Highlights

| | |
|---------------|--|
| Category | Navigation Buoy |
| Standard | EN |
| Weight / Size | Voltage DC12V Power 5W Source LED Navigation Range >6.3nm Characteristi... |
| Certificate | ABS, LR, BV, DNVGL, NK, KR, IRS, RMRS, CCS |

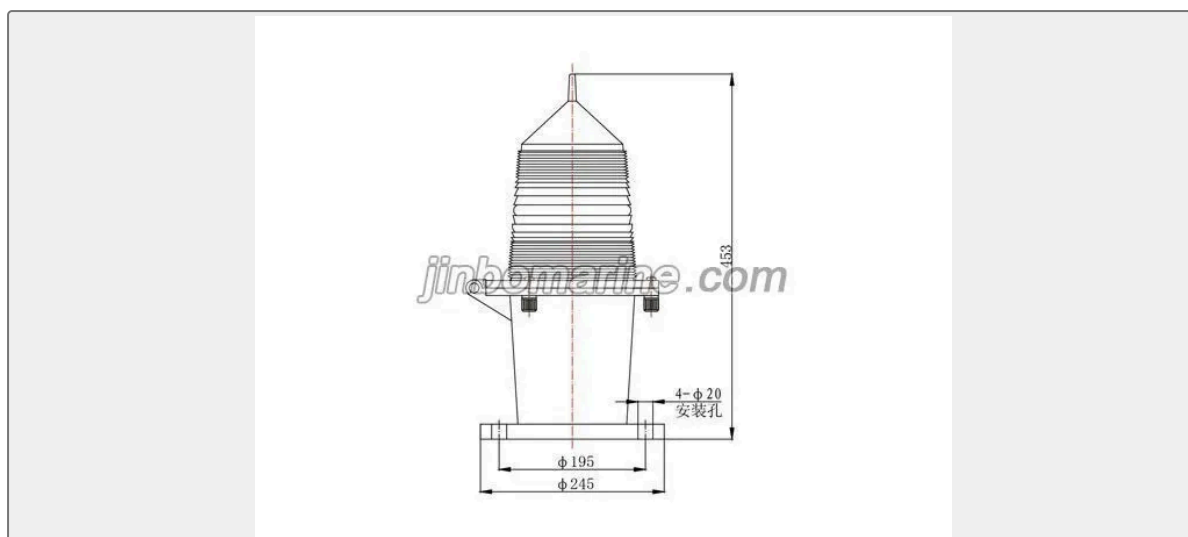
We can supply according to your requirement, drawings, class certificate needs, and delivery schedule.

Technical Specifications

| | | | |
|-------------|--|---------------|---|
| Category | Navigation Buoy | Model / SKU | HD155-S3-LED-Lantern |
| Standard | EN | Weight / Size | Voltage DC12V Power 5W Source LED Navigation Range >6.3nm Characteristic 256 program Color Red, Yellow, Green, White Optical sensitivity 300LX Working Environment Outdoor, Waterproof Protection IP65 Working Temperature -40-70°C Installation 4-Φ20/Φ195mm Weight 3.5kg Size 271x248x453mm |
| Certificate | ABS, LR, BV, DNVGL, NK, KR, IRS, RMRS, CCS | Warranty | 12 Months unless specified otherwise |
| Origin | China | | |



China HD155-S3 LED Lantern:



| | |
|---------------------|---------------------------|
| Voltage | DC12V |
| Power | 5W |
| Source | LED Navigation |
| Range | >6.3nm |
| Characteristic | 256 program |
| Color | Red, Yellow, Green, White |
| Optical sensitivity | 300LX |
| Working Environment | Outdoor, Waterproof |
| Protection | IP65 |
| Working Temperature | -40-70°C |
| Installation | 4-φ20/φ195mm |
| Weight | 3.5kg |
| Size | 271x248x453mm |