

Jinbo Marine

Marine & Offshore Equipment Datasheet

PRODUCT DATASHEET

YHC MARINE WHISTLE SYSTEM

HDG-AN Wall Mount Whistle Button

Colour: Dull Black Shell Material: ABS Cable Gland 2-PG16 Manual alarm button's push
freque...

ISO9001 Supplier

Class Certificate

Export Supply



Key Highlights

Category	YHC Marine Whistle System
Standard	EN
Weight / Size	No Name & Description Type Weight IP Rating 1 Whistle contrller DDQ-1A 1...
Certificate	ABS, LR, BV, DNVGL, NK, KR, IRS, RMRS, CCS

We can supply according to your requirement, drawings, class certificate needs, and delivery schedule.

Technical Specifications

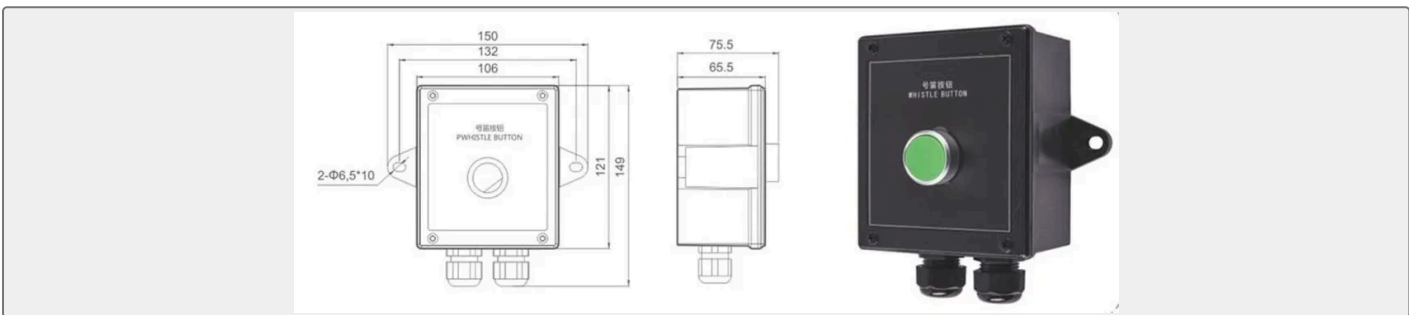
Category	YHC Marine Whistle System	Model / SKU	HDG-AN-Wall-Mount-Whistle-Button
Standard	EN	Weight / Size	No Name & Description Type Weight IP Rating 1 Whistle contrller DDQ-1A 1.8 IP22 2 100W Electric whistle signal unit DDX-1 11.5 IP22 3 200W Electric Whistle signal unit DDX-1 11.5 IP22 4 Marine Whistle YHC-100 19 IP22 5 Marine Whistle YHC-200 20 IP22 6 Marine Whistle Button HDQ-AN 0.2 IP22 7 Marine Whistle Button HDG-AN 0.5 IP22 8 Marine Whistle Button HDG-AN 0.5 IP22
Certificate	ABS, LR, BV, DNVGL, NK, KR, IRS, RMRS, CCS	Warranty	12 Months unless specified otherwise
Origin	China		

CONTENTS	■ China HDG-AN Wall Mount Whistle Button:	■ YHC Electric Hom Control system Schematic Diagram
	■ System composition:	

China HDG-AN Wall Mount Whistle Button:

Colour:	Dull Black
Shell Mateiral:	ABS
Cable Gland	2-PG16

Manual alarm button's push frequency to control the relevant signal from the fog horn.



YHC Electric Hom Control system Schematic Diagram



System composition:

No	Name & Description	Type	Weight	IP Rating
1	Whistle controller	DDQ-1A	1.8	IP22
2	100W Electric whistle signal unit	DDX-1	11.5	IP22
3	200W Electric Whistle signal unit	DDX-1	11.5	IP22
4	Marine Whistle	YHC-100	19	IP22
5	Marine Whistle	YHC-200	20	IP22

6	Marine Whistle Button	HDQ-AN	0.2	IP22
7	Marine Whistle Button	HDG-AN	0.5	IP22
8	Marine Whistle Button	HDG-AN	0.5	IP22