

Jinbo Marine

Marine & Offshore Equipment Datasheet

PRODUCT DATASHEET

HFM FIRE DOOR CONTROL SYSTEM

HFMX-16G HFMX-32G Fireproof Door Ralay Cabinet

HFMX-16G HFMX-32G Fireproof Door Ralay Cabinet 1)Chapter 2 of Part 4 of the "Steel Ship Classification Rules" of the China Classification Society; 2)IMO Resolution A.1021(26) Code on Alerts and Indicators, 2009. ...

ISO9001 Supplier

Class Certificate

Export Supply



Key Highlights

Category	HFM Fire Door Control System
Material	HFMX-16G HFMX-32G Fireproof Door Ralay Cabinet 1)Chapter 2 of Part 4 of ...
Certificate	ABS, LR, BV, DNVGL, NK, KR, IRS, RMRS, CCS

We can supply according to your requirement, drawings, class certificate needs, and delivery schedule.

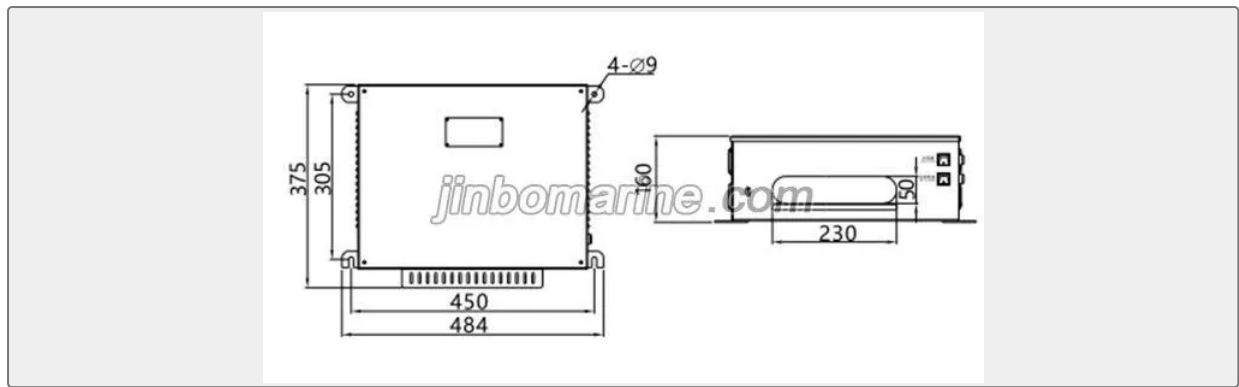
Technical Specifications

Category	HFM Fire Door Control System	Model / SKU	HFMX-16G-HFMX-32G-Fireproof-Door-Ralay-Cabinet
Material	HFMX-16G HFMX-32G Fireproof Door Ralay Cabinet 1)Chapter 2 of Part 4 of the "Steel Ship Classification Rules" of the China Classification Society;	Certificate	ABS, LR, BV, DNVGL, NK, KR, IRS, RMRS, CCS
Warranty	12 Months unless specified otherwise	Origin	China

China HFMX-16G HFMX-32G Fireproof Door Ralay Cabinet:

HFMX-16G HFMX-32G Fireproof Door Ralay Cabinet

- 1)Chapter 2 of Part 4 of the "Steel Ship Classification Rules" of the China Classification Society;
- 2)IMO Resolution A.1021(26) Code on Alerts and Indicators, 2009.



Colour:White RAL7035

Shell material: Q235B

Power supply: AC220V±10% DC24V±10%

IP rating: IP22

NO.	Type	Power output	Power consumption
1	HFMX-16G	50	75
2	HFMX-32G	100	150