

# Jinbo Marine

Marine &amp; Offshore Equipment Datasheet

PRODUCT DATASHEET

## HJ MARINE CALL SYSTEM

# HJG-AN Crew Emergency Call Device

HJG-AN Crew Emergency Call Device 1) Chapter 2 of Part 4 of the "Steel Ship Classification Rules" of the China Classification Society: Colour: RAL9005 IP rating: IP44 Hull Material: ABS

...

ISO9001 Supplier

Class Certificate

Export Supply



### Key Highlights

Category	HJ Marine Call System
Standard	EN
Material	HJG-AN Crew Emergency Call Device 1) Chapter 2 of Part 4 of the "Steel Sh..."
Certificate	ABS, LR, BV, DNVGL, NK, KR, IRS, RMRS, CCS

We can supply according to your requirement, drawings, class certificate needs, and delivery schedule.

### Technical Specifications

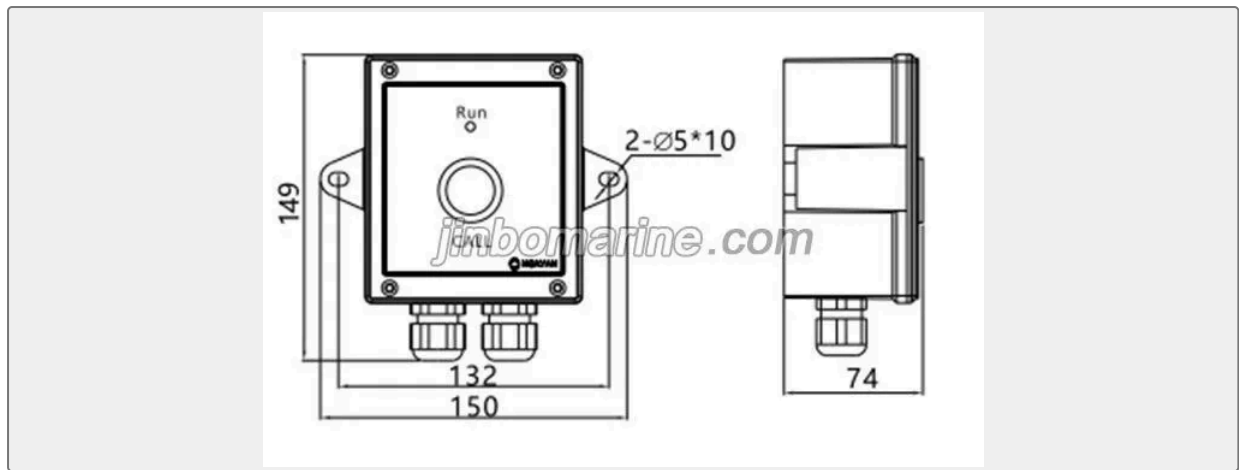
Category	HJ Marine Call System	Model / SKU	HJG-AN-Crew-Emergency-Call-Device
Standard	EN	Material	HJG-AN Crew Emergency Call Device 1) Chapter 2 of Part 4 of the "Steel Ship Classification Rules" of the China Classification Society:
Certificate	ABS, LR, BV, DNVGL, NK, KR, IRS, RMRS, CCS	Warranty	12 Months unless specified otherwise
Origin	China		

## China HJG-AN Crew Emergency Call Device:

HJG-AN Crew Emergency Call Device

1) Chapter 2 of Part 4 of the "Steel Ship Classification Rules" of the China Classification Society:





Colour: RAL9005

IP rating: IP44

Hull Material: ABS

Cable gland: 2xPG16(10-14mm)