

HJ MARINE CALL SYSTEM

HJQ-AN Crew Emergency Call Device

HJQ-AN Crew Emergency Call Device 1) Chapter 2 of Part 4 of the "Steel Ship Classification Rules" of the China Classification Society: Colour: RAL9016 IP rating: IP22 Hull Material: ABS

- ISO9001 Supplier
- Class Certificate
- Export Supply

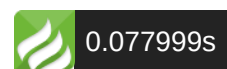
 <p style="font-size: small; color: gray;">jinbomarine.com</p>	<div style="background-color: #1a3d3d; color: white; padding: 5px;">Key Highlights</div> <table border="1" style="width: 100%; border-collapse: collapse; margin-top: 5px;"> <tr> <td style="width: 20%;">Category</td> <td>HJ Marine Call System</td> </tr> <tr> <td>Standard</td> <td>EN</td> </tr> <tr> <td>Material</td> <td>HJQ-AN Crew Emergency Call Device 1) Chapter 2 of Part 4 of the "Steel Sh...</td> </tr> <tr> <td>Certificate</td> <td>ABS, LR, BV, DNVGL, NK, KR, IRS, RMRS, CCS</td> </tr> </table> <div style="margin-top: 10px; font-size: x-small; color: gray;"> <p>We can supply according to your requirement, drawings, class certificate needs, and delivery schedule.</p> </div>	Category	HJ Marine Call System	Standard	EN	Material	HJQ-AN Crew Emergency Call Device 1) Chapter 2 of Part 4 of the "Steel Sh...	Certificate	ABS, LR, BV, DNVGL, NK, KR, IRS, RMRS, CCS
Category	HJ Marine Call System								
Standard	EN								
Material	HJQ-AN Crew Emergency Call Device 1) Chapter 2 of Part 4 of the "Steel Sh...								
Certificate	ABS, LR, BV, DNVGL, NK, KR, IRS, RMRS, CCS								

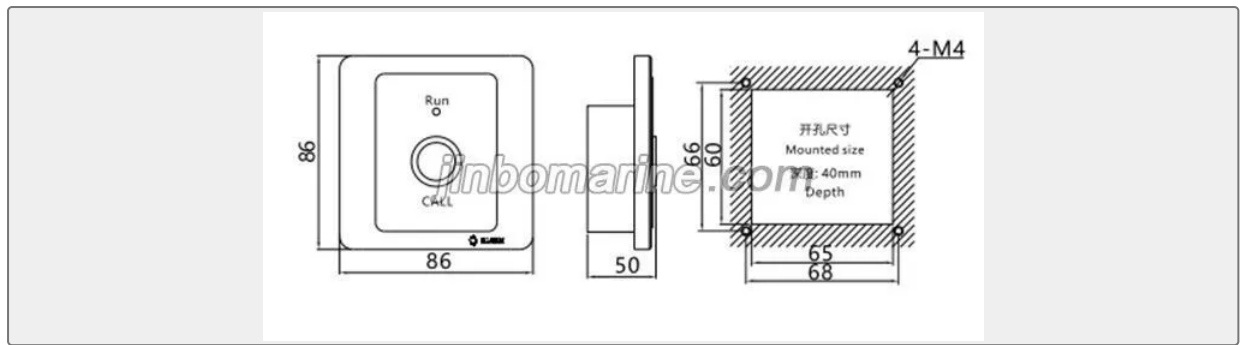
Technical Specifications			
Category	HJ Marine Call System	Model / SKU	HJQ-AN-Crew-Emergency-Call-Device
Standard	EN	Material	HJQ-AN Crew Emergency Call Device 1) Chapter 2 of Part 4 of the "Steel Ship Classification Rules" of the China Classification Society:
Certificate	ABS, LR, BV, DNVGL, NK, KR, IRS, RMRS, CCS	Warranty	12 Months unless specified otherwise
Origin	China		

China HJQ-AN Crew Emergency Call Device:

HJQ-AN Crew Emergency Call Device

1) Chapter 2 of Part 4 of the "Steel Ship Classification Rules" of the China Classification Society:





Colour: RAL9016

IP rating: IP22

Hull Material: ABS