

# Jinbo Marine

Marine &amp; Offshore Equipment Datasheet

PRODUCT DATASHEET

## HJ MARINE CALL SYSTEM

## HJZ-1Q Call Alarm Controller

HJZ-1Q Call Alarm Controller 1) Chapter 2 of Part 4 of the "Steel Ship Classification Rules" of the China Classification Society: Colour: RAL9005 Working voltage: 2xDC24V IP rating: IP22

...

ISO9001 Supplier

Class Certificate

Export Supply



### Key Highlights

Category	HJ Marine Call System
Material	HJZ-1Q Call Alarm Controller 1) Chapter 2 of Part 4 of the "Steel Ship Cl...
Certificate	ABS, LR, BV, DNVGL, NK, KR, IRS, RMRS, CCS

We can supply according to your requirement, drawings, class certificate needs, and delivery schedule.

### Technical Specifications

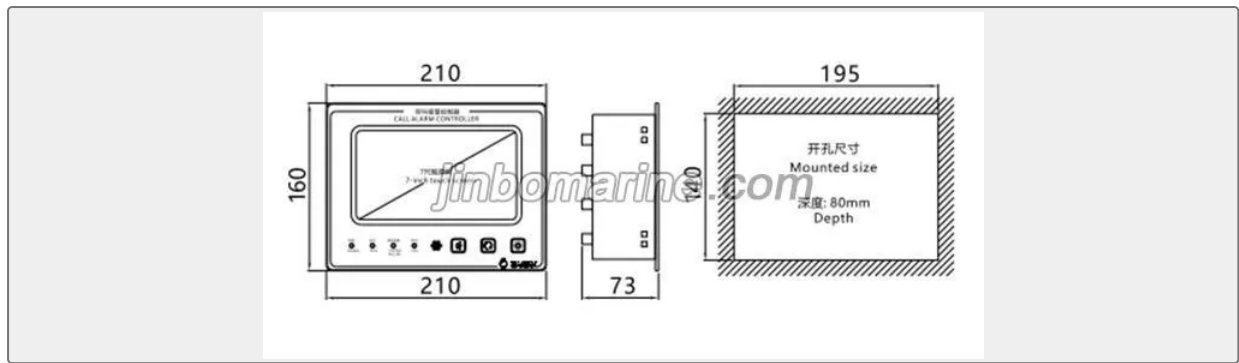
Category	HJ Marine Call System	Model / SKU	HJZ-1Q-Call-Alarm-Controller
Material	HJZ-1Q Call Alarm Controller 1) Chapter 2 of Part 4 of the "Steel Ship Classification Rules" of the China Classification Society:	Certificate	ABS, LR, BV, DNVGL, NK, KR, IRS, RMRS, CCS
Warranty	12 Months unless specified otherwise	Origin	China

### China HJZ-1Q Call Alarm Controller:

HJZ-1Q Call Alarm Controller

1) Chapter 2 of Part 4 of the "Steel Ship Classification Rules" of the China Classification Society:





Colour: RAL9005

Working voltage: 2xDC24V

IP rating: IP22

Hull Material: Aluminium