

# Jinbo Marine

Marine &amp; Offshore Equipment Datasheet

PRODUCT DATASHEET

## MARINE NAVIGATION EQUIPMENT

## HLD-DAU600 Serial Data Acquisition Unit

ISO9001 Supplier

Class Certificate

Export Supply

HLD-DAU600 Serial Data Acquisition Unit 24xIEC61162serial data input Selectable Baud rate  
Dimension (LxWxH):360x260x150mm Weight:8kg IP Protection:IP22 Wor...



### Key Highlights

|               |  |
|---------------|--|
| Category      | Marine Navigation Equipment  |
| Standard      | EN   |
| Weight / Size | HLD-DAU600 Serial Data Acquisition Unit<br>24xIEC61162serial data input Sel... |
| Certificate   | ABS, LR, BV, DNVGL, NK, KR, IRS, RMRS, CCS                                     |

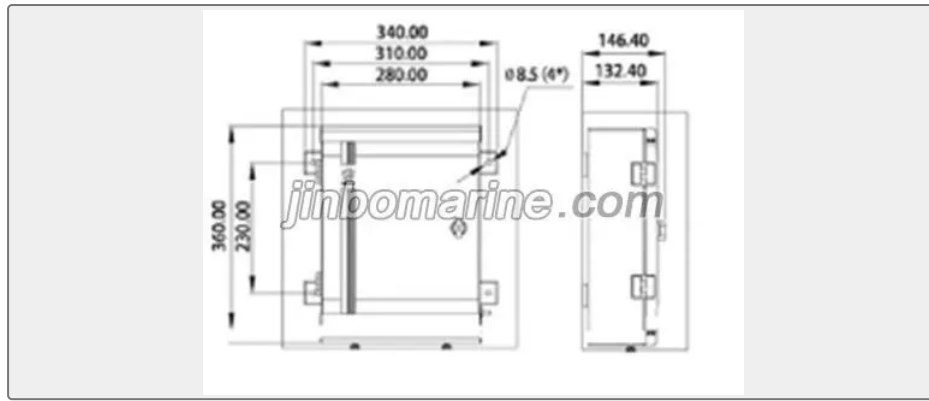
We can supply according to your requirement, drawings, class certificate needs, and delivery schedule.

### Technical Specifications

|             |  |               |   |
|-------------|--|---------------|---|
| Category    | Marine Navigation Equipment                | Model / SKU   | HLD-DAU600-Serial-Data-Acquisition-Unit   |
| Standard    | EN   | Weight / Size | HLD-DAU600 Serial Data Acquisition Unit 24xIEC61162serial data input Selectable Baud rate<br>Dimension (LxWxH):360x260x150mm<br>Weight:8kg IP Protection:IP22<br>Working temperature:-15°C~55°C |
| Certificate | ABS, LR, BV, DNVGL, NK, KR, IRS, RMRS, CCS | Warranty      | 12 Months unless specified otherwise  |
| Origin      | China                                      |               |   |

### China HLD-DAU600 Serial Data Acquisition Unit:

HLD-DAU600 Serial Data Acquisition Unit



24xIEC61162serial data input

Selectable Baud rate

Dimension (LxWxH):360x260x150mm

Weight:8kg

IP Protection:IP22

Working temperature:-15°C~55°C