

# Jinbo Marine

Marine &amp; Offshore Equipment Datasheet

PRODUCT DATASHEET

## MARINE NAVIGATION EQUIPMENT

## HLD-OPU600 Operation Unit

HLD-OPU600 Operation Unit Display: High definition touch screen LCD,(800x480Pixel)

Human-Machine Interface:User friendly interface,displays all the warnings and alarms Data

Back Up...

ISO9001 Supplier

Class Certificate

Export Supply



### Key Highlights

Category	Marine Navigation Equipment
Standard	EN
Weight / Size	High definition touch screen LCD,(800x480Pixel) Human-Machine Interface:...
Certificate	ABS, LR, BV, DNVGL, NK, KR, IRS, RMRS, CCS

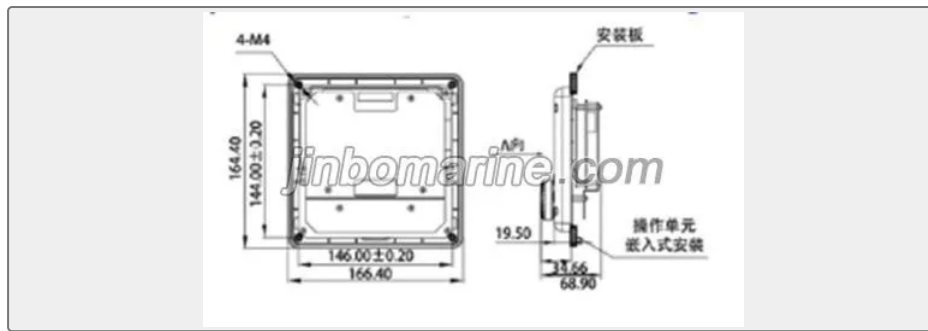
We can supply according to your requirement, drawings, class certificate needs, and delivery schedule.

### Technical Specifications

Category	Marine Navigation Equipment	Model / SKU	HLD-OPU600-Operation-Unit
Standard	EN	Weight / Size	High definition touch screen LCD, (800x480Pixel) Human-Machine Interface:User friendly interface,displays all the warnings and alarms Data Back Up function Dimension(LxWxH):166.4x164.4x70mm Weight:0.5kg Installation:Flush mounting IP Protection:IP22 Working temperature:-15C ~ 55°C
Certificate	ABS, LR, BV, DNVGL, NK, KR, IRS, RMRS, CCS	Warranty	12 Months unless specified otherwise
Origin	China		

### China HLD-OPU600 Operation Unit:

HLD-OPU600 Operation Unit



Display: High definition touch screen LCD,(800x480Pixel)

Human-Machine Interface:User friendly interface,displays all the warnings and alarms

Data Back Up function

Dimension(LxWxH):166.4x164.4x70mm

Weight:0.5kg

Installation:Flush mounting

IP Protection:IP22

Working temperature:-15C ~ 55°C